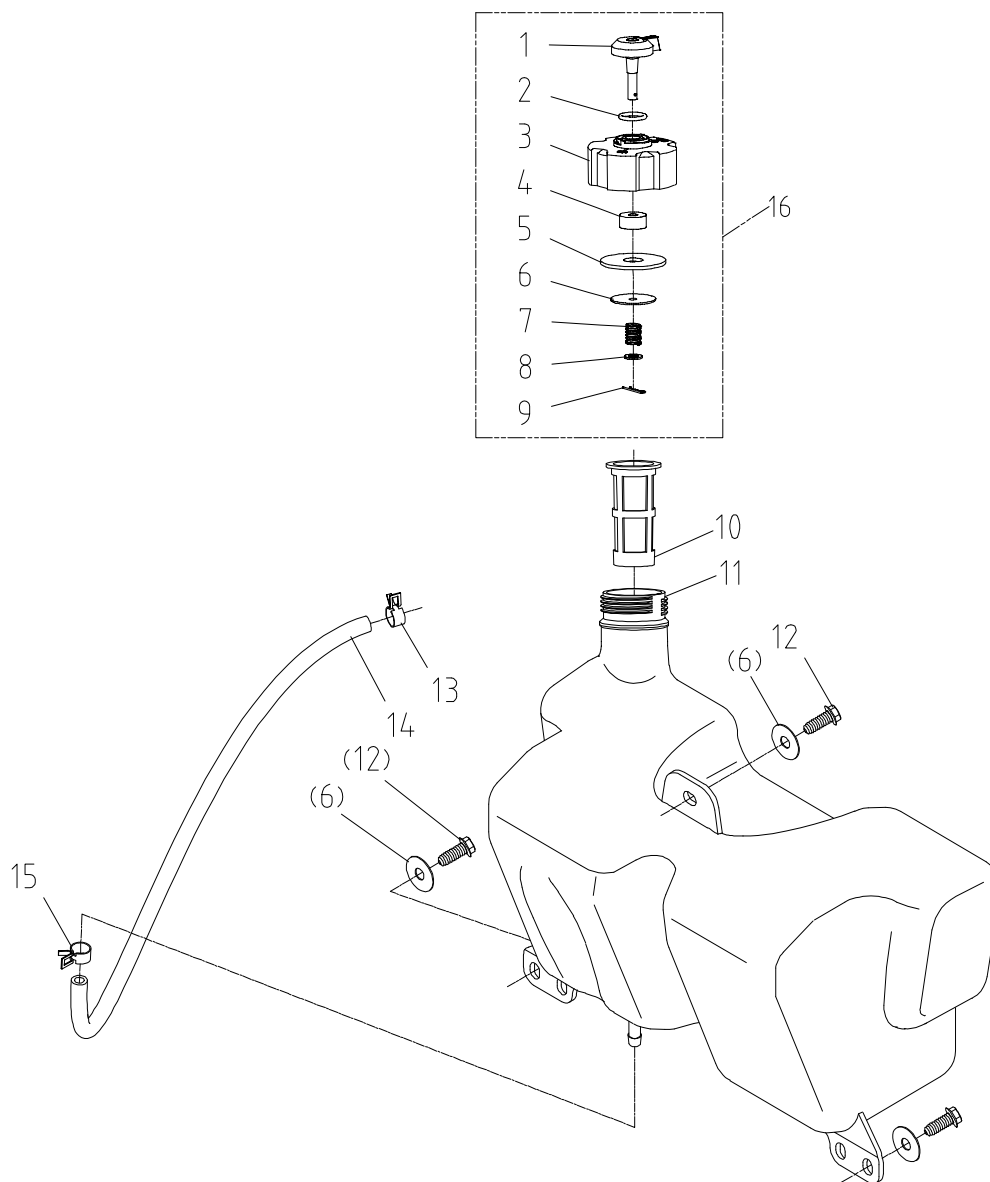
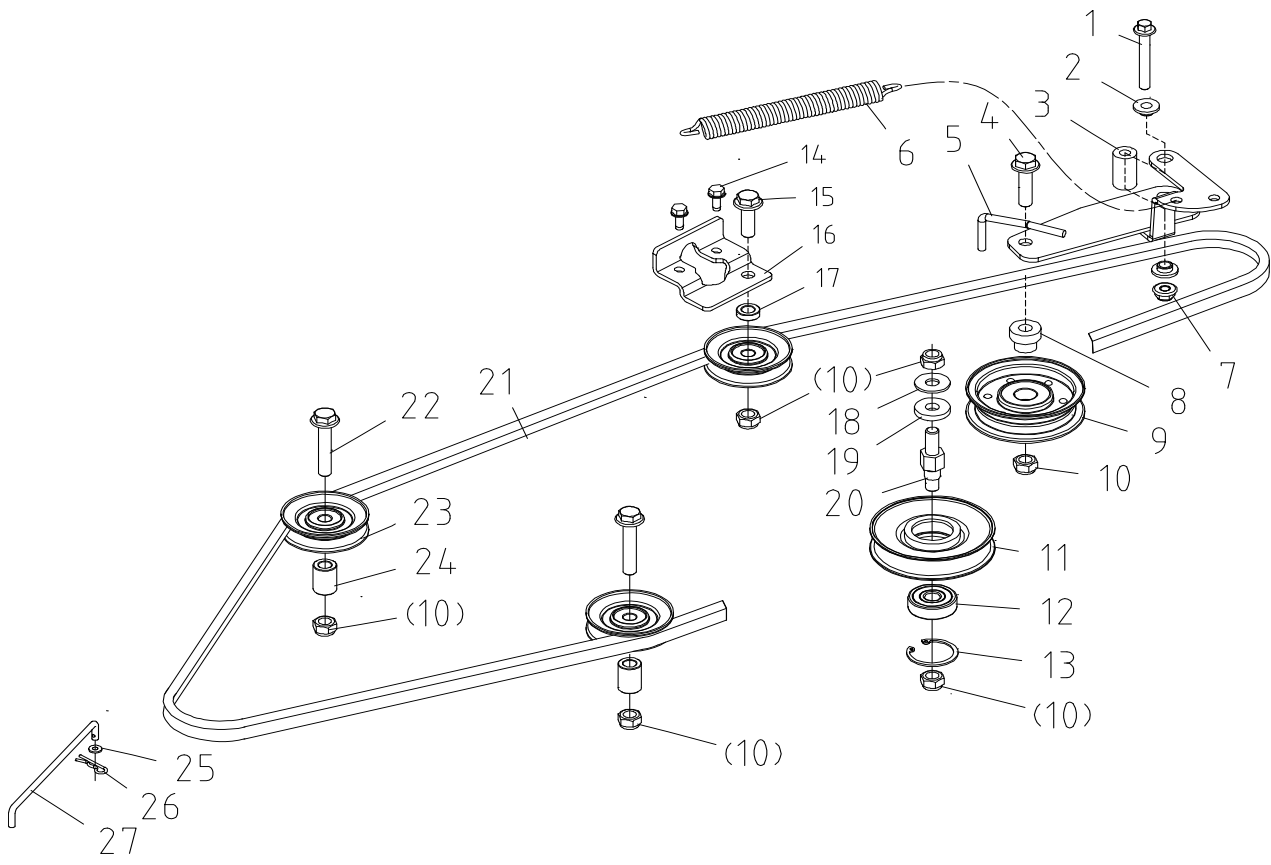


Lp	Kod	Nazwa	Ilość
1	760000	CHOKE KNOB	1
2	760001	SCREW M4×16	2
3	760002	WASHER 4	2
4	760003	THROTTLE CABLE	1
5	LC1P88F-1	ENGINE	1
5	LC1P90F-1	ENGINE	1
5	LC1P92F-1	ENGINE	1
6	760007	TAPPING SCREW 3/8"-16-1 1/4"	4
7	760008	FLAT KEY 6.35×30	1
8	760604	ENGINE PULLEY WELDMENT	1
9	760010	SUPPORT	1
10	760011	TAPPING SCREWM6*16	10
11	760012	ELECTRIC CLUTCH	1
12	760013	CLUTCH STEP BUSHING	1
13	760014	TAPER WASHER 12	1
14	760015	BOLT, 7/16"-20- 3",UNF	1
15	760016	CLUTCH CLAMP PLATE	1
16	760017	FLANGE LOCK NUT M8	2
17	760605	CLUTCH BAFFLE (SMALL BIN)	1
18	760019	BOLT M8×20	2
19	760020	EXHAUST PIPE	1
20	760021	SCREW 5/16"-18 -3/4"	3
21	760022	SPRING WASHER 5/16"	3
22	760023	WASHER 8	1
23	760024	GASKET	1
24	760025	MUFFLE	1
25	760026	BRACKET	1
26	760027	BIG WASHER 8	2
27	760028	FLANGE BOLT 5/16-18TX3/4	2
28	760029	FLANGE LOCK NUT M6	2
29	760030	FRONT SHIELD	1
30	760031	BIG WASHER 6	2
31	760606	BOLT M6×16	2

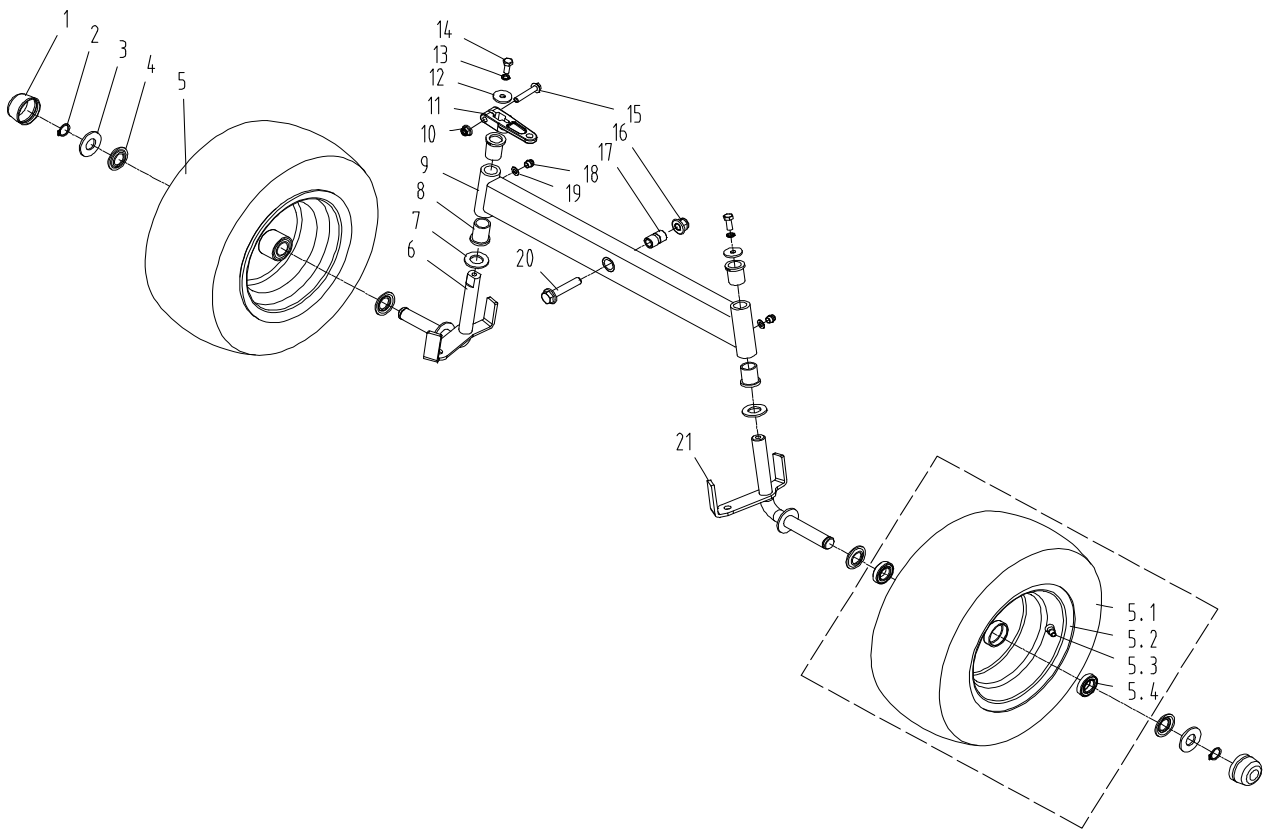


Lp	Kod	Nazwa	Ilość
1	760033	FUEL TANK CAP LEVER	1
2	760034	O RING	1
3	760035	FUEL TANK CAP	1
4	760036	FUEL TANK CAP FILTER	1
5	760037	FUEL TANK CAP SEAL	1
6	760038	GASKET 6×25×1.5	4
7	760039	FUEL TANK CAP SPRING	1
8	760040	WASHER 5	1
9	760041	SPLIT PIN	1
10	760042	FILTER CAP	1
11	760043	FUEL TANK	1
12	760044	TAPPING SCREWM6*1	3
13	760045	CLIP Φ10	1
14	760046	FUEL HOSE	1
15	760047	CLIP Φ10	1
16	760048	FUEL TANK CAP ASY	1

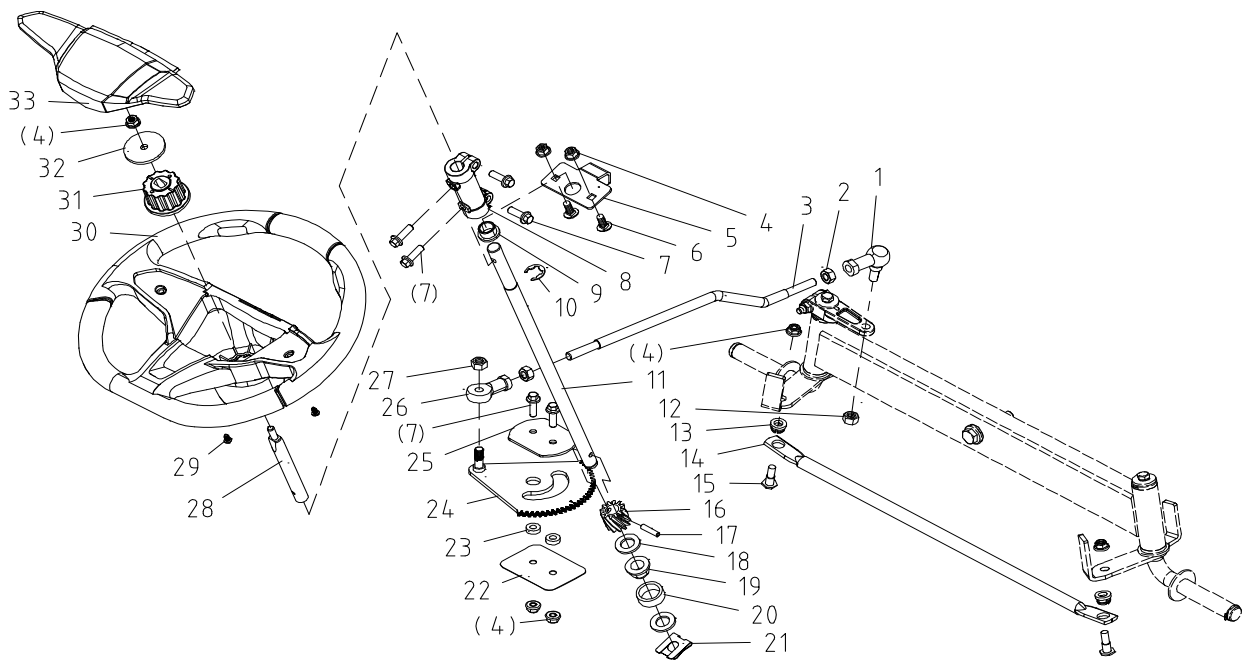


Lp	Kod	Nazwa	Ilość
1	760052	FLANGE BOLT M8×60	1
2	760054	BUSHING	2
3	760050	SPACER 8X18X33	1
4	760056	FLANGE BOLT M10×1.25×40	1
5	760057	DRIVING TENSION ARM WELDMENT	1
6	760065	SPRING	1
7	760058	FLANGE NUT M8	1
8	760060	TENSION PULLEY BUSHING	1
9	760063	TENSION PULLEY	1
10	760064	LOCK NUT M10×1.25	6
11	760075	TENSION PULLEY	1
12	760076	BEARING 6301-2RS	1
13	760077	SNAP RING 37	1
14	760011	TAPPING SCREWM6*16	4
15	760660	FLANGE BOLT M10×1.25×35	1
16	760551	GUIDE PULLEY BASE PLATE	1
17	760552	WASHER 10X18X7	1
18	760070	BIG WASHER 10	1
19	760071	WASHER 27X10.5X5	1
20	760072	TENSIONING WHEEL BOLT	1
21	760553	V BELT LG4-1030	1
22	760073	FLANGE BOLT M10×1.25×50	2
23	760074	DRIVING GUIDE PULLEY	3
24	760079	GUIDE PULLEY CUSHION SLEEVE	2
25	760040	WASHER 5	1
26	760041	SPLIT PIN	1
27	760554	OIL DISCHARGE PUSH ROD (K46)	1

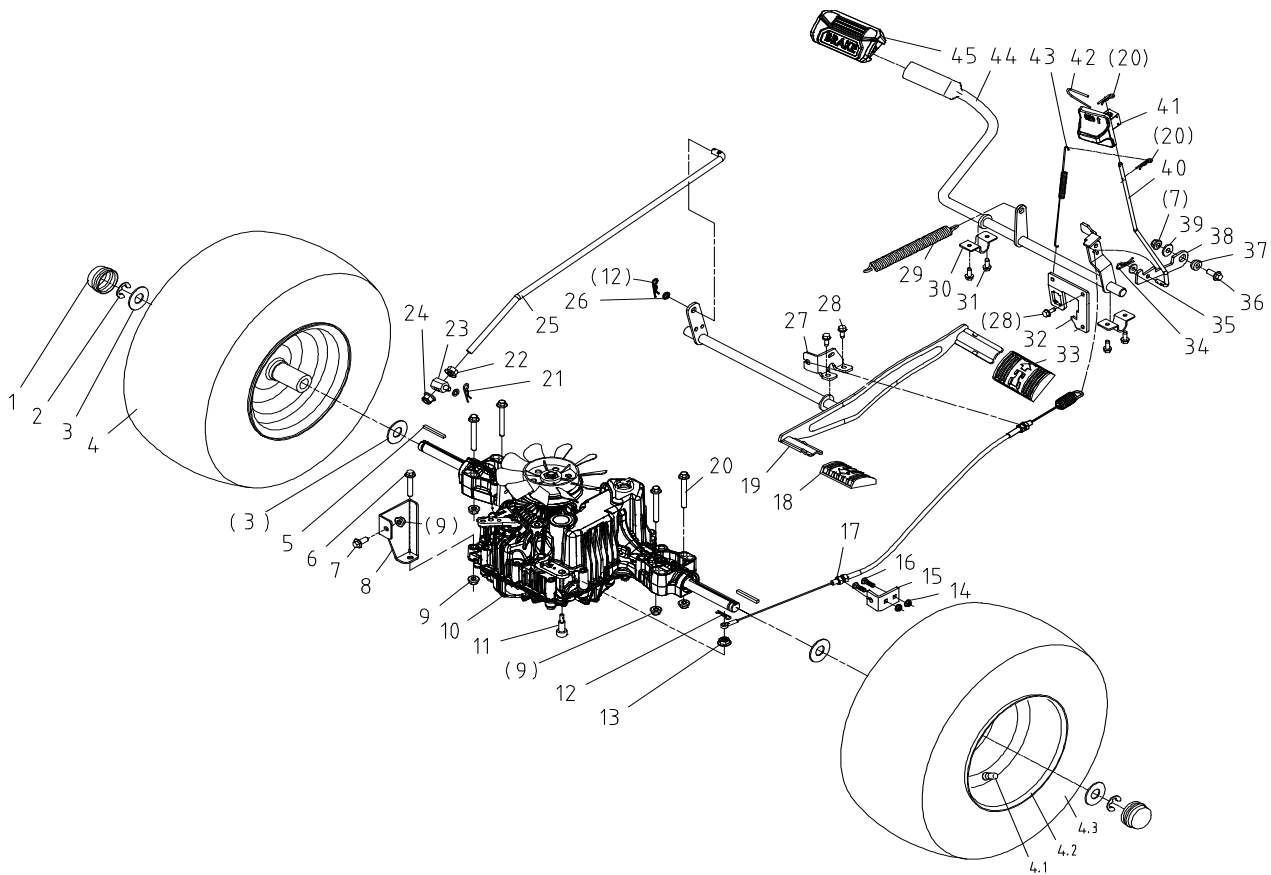
11	760556	FLANGE BOLT M6×25	2
12	760463	FRAME WELLDMENT	1
13	760464	RIGHT SIDE OF HOOD BRACKET	1
14	760465	COLLISION BAR EXTENSION RIGHT	1
15	760466	BUMPER	1
16	760019	BOLT M8×20	10
17	760467	LEFT SIDE OF HOOD BRACKET	1
18	760468	COLLISION BAR EXTENSION LEFT	1
19	760011	TAPPING SCREWM6*16	14
20	760469	PILLAR REAR COVER SUPPORT PLATE	2
21	760470	COLUMN FRAME WELDING PARTS	1
22	760055	BOLT M6X16	2
23	760471	FOOT FORWARD SUPPORT LEFT	1
24	760472	LEFT PEDAL	1
25	760473	FOOT PAD LEFT	1
26	760474	SEAT FONT CROSSBEAM WELDMENT	1
27	760475	SIDE STANDING PLATE	2
28	760476	LEFT FOOT STEP SUSPENSION PLATE	1
29	760557	LEFT SIDE OF TRAPEZOIDAL CONNECTING PLATE WELDMENT	1
30	760558	REAR BAFFLE BRACKET	2
31	760559	ROTAING BRACKET RIGHT WELDMENT	1
32	760560	ROTAING BRACKET LEFT WELDMENT	1
33	760114	WASHER 10	4
34	760115	SPRING WASHER 10	4
35	760561	HEXAGONAL HEAD BOLT M10X1.5X30, GB/T5783	4
36	760562	TAILGATE	1
37	760563	PULL HOOK SEAT LEFT	1
38	760564	HOOK L	1
39	760565	HOOK R	1
40	760566	PIN SCREW M6	2
41	760245	FLANGE BOLT M8×25	2
42	760567	STRAW BAG BUCKLE TENSION SPRING	2
43	760568	REAR STRUT LEFT	1
44	760569	REAR STRUT RIGHT	1
45	760570	STEP BOLT M8*20	2
46	760571	RIGHT SIDE OF TRAPEZOIDAL CONNECTING PLATE WELDMENT	1
47	760572	PULL HOOK SEAT RIGHT	1



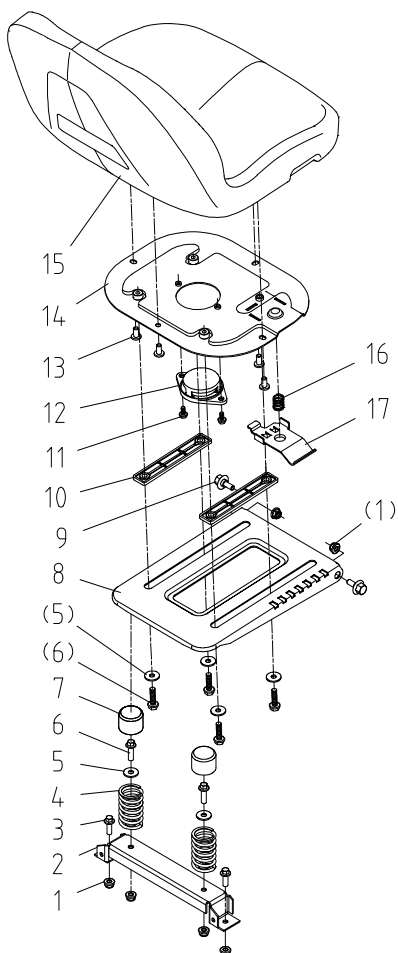
Lp	Kod	Nazwa	Ilość
1	760186	HUB COVER	2
2	760130	SNAP RING 19	2
3	760188	WASHER $\Phi 20 \times \Phi 43 \times 3$	2
4	760549	WASHER	4
5	760477	FRONT WHEEL ASSEMBLY	2
5,1	760478	FRONT WHEEL ASSEMBLY	2
5,2	760479	FRONT WHEEL ASSEMBLY	2
5,3	760190	VALVE Z2-01-1, GB/T3900-1997	2
5,4	760137	BEARING 61904-2RZ	4
6	760480	FRONT AXLE RH	1
7	760593	WASHER 20	2
8	760481	BUSHING	4
9	760482	FRONT AXLE WELDMENT	1
10	760017	FLANGE LOCK NUT M8	1
11	760483	TURNNG ARM	1
12	760484	WASHER	2
13	760594	SPRING WASHER 8	2
14	760595	BOLT M8x20	2
15	760596	FLANGE BOLT M8x45	1
16	760213	FLANGE LOCK NUT M12x1.25	1
17	760485	LINER TUBE	1
18	760299	OIL INJECTION NOZZLE	2
19	760151	WASHER6	2
20	760487	FLANGE BOLT M12x1.25x55	1
21	760488	FRONT AXLE LH	1



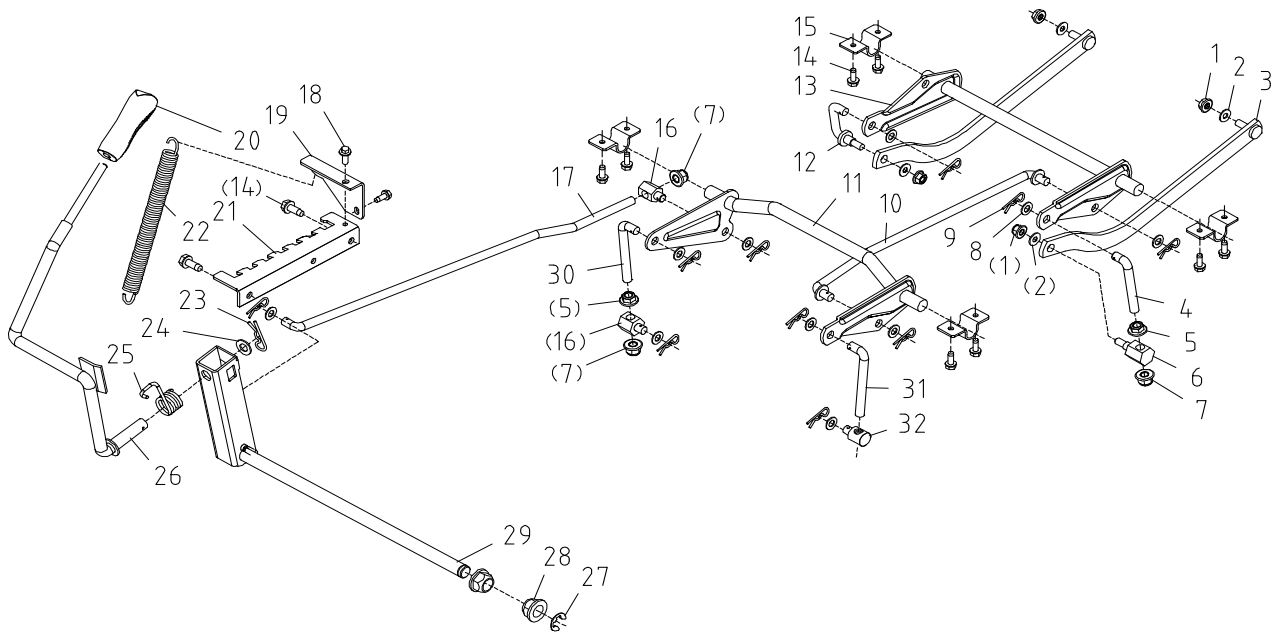
Lp	Kod	Nazwa	Ilość
1	760489	JOINT BEARING M10	1
2	760155	NUT M10	2
3	760490	STEERING DRAG ROD	1
4	760017	FLANGE LOCK NUT M8	7
5	760491	SQUARE HOLE CARD BOARD	1
6	760019	SCREW M8×20	2
7	760245	FLANGE BOLT M8×25	6
8	760492	COUPLINGS	1
9	760493	HATCH BUSHING	1
10	760163	SNAP RING 15	1
11	760494	STEERING COLUMN	1
12	760495	LOCK NUT M10	1
13	760496	ELASTIC RUBBER BUSH	2
14	760497	STEERING DRAG ROD	1
15	760498	PIN SCREW M8×28	2
16	760499	STEERING GEAR LEFT	1
17	760500	PIN 6×26	1
18	760171	WASHER 16	2
19	760284	HEXAGON BUSHING	1
20	760501	BUSHING	1
21	760502	SNAP RING 16	1
22	760503	TIE PLATE	1
23	760504	BUSHING	2
24	760505	STEERING GEAR PLATE WELDMENT	1
25	760506	DOUBLE HOLE BOARD	1
26	760179	JOINT BEARING SIJK10C	1
27	760064	LOCK NUT M10×1.25	1
28	760599	STEERING WHEEL ROD A	1
29	760668	TAPPING SCREW ST4.8X16	2
30	760600	STEERING WHEEL	1
31	760601	SPLINED HUB	1
32	760602	WASHER	1
33	760603	STEERING WHEEL CAP	1



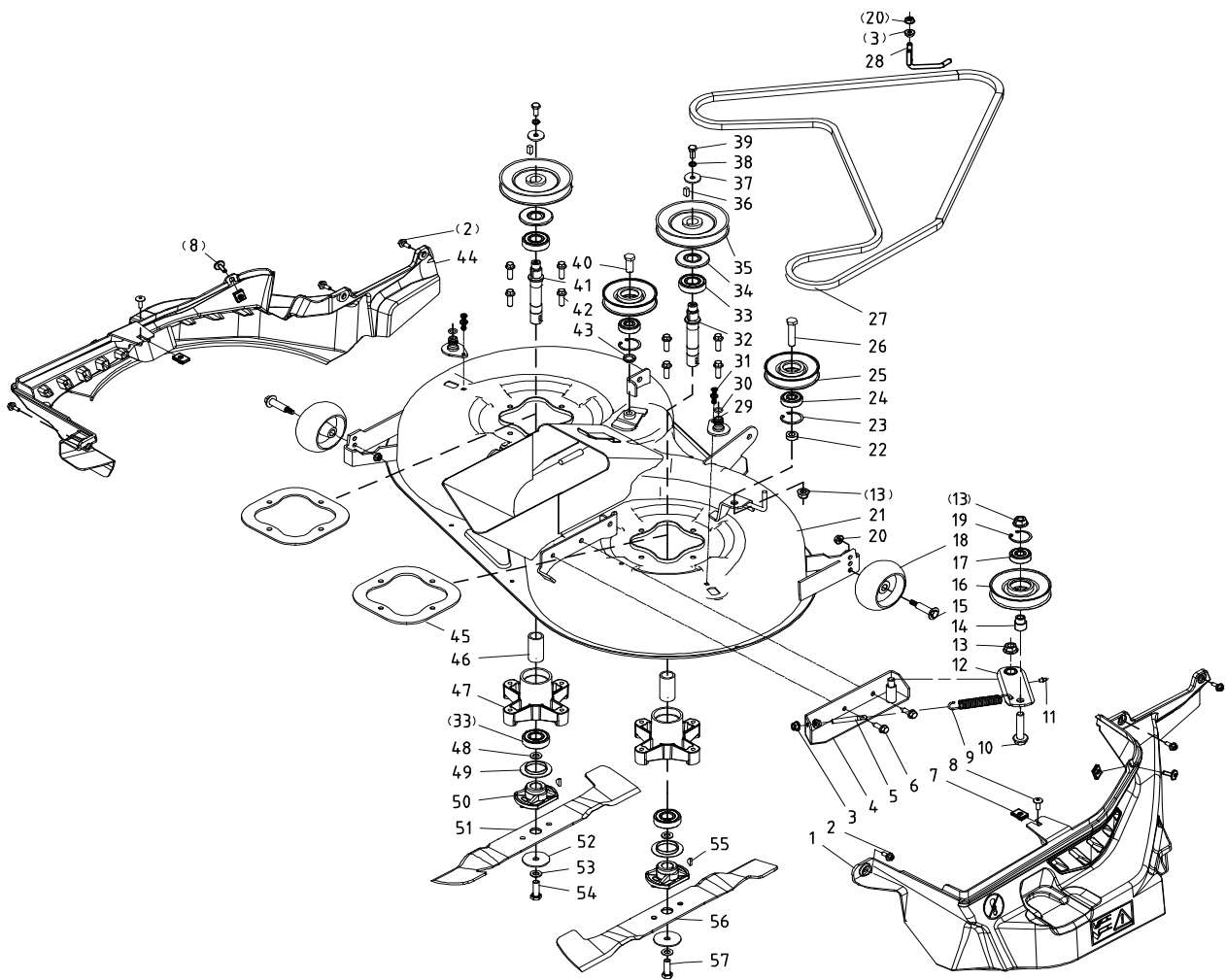
Lp	Kod	Nazwa	Ilość
1	760186	HUB COVER	2
2	760187	RETAINER RING 15	2
3	760188	WASHER $\Phi 20 \times \Phi 43 \times 3$	4
4	760189	REAR WHEEL ASSEMBLY	2
4,1	760190	VALVE Z2-01-1, GB/T3900-1997	2
4,2	760191	REAR HUB XCT98, 232X178	2
4,3	760192	REAR TUBELESS TIRE 18X8.5-8	2
5	760193	FLAT KEY 4.85x60	2
6	760573	FLANGE BOLT M8x40	1
7	760242	FLANGE BOLT M8x20	1
8	760575	EAR FIXED PLATE OF HYDRAULIC AXLE (K46)	1
9	760017	FLANGE LOCK NUT M8	6
10	760576	TRANSAXLE, HYDRO, TTC, K46DR	1
11	760577	BOW-TIE COTTER PIN 2(K46)	1
12	760228	COTTER PIN	4
13	760633	NUT M10	1
14	760051	FLANGE LOCK NUT M6	2
15	760578	CABLE SUPPORT	1
16	760055	BOLT M6X16	2
17	760579	BRAKE CABLE (K46)	1
18	760580	REVERSE PEDAL	1
19	760581	FOOT LEVER WELDMENT	1
20	760209	FLANGE BOLT 8x65	4
21	760059	SPRING PIN	1
22	760261	HEXAGON NUT 10X1.25	4
23	760582	PULL ROD PIN	1
24	760064	LOCK NUT M10x1.25	1
25	760583	TRAVELING PULL ROD (K46)	1
26	760264	WASHER 10	1
27	760584	CABLE FIXING PLATE	1
28	760011	TAPPING SCREW M6*16	4
29	760585	BRAKE RESET TENSION SPRING	1
30	760227	U-SHAPED CLAMP	2
31	760028	FLANGE BOLT 5/16-18TX3/4	4
32	760226	BRAK SWITCH SERT PLATE	1
33	760586	FORWARD PEDAL	1
34	760587	COTTER PIN	3
35	760151	WASHER 6	1
36	760230	FLANGE BOLT M8x25	1
37	760231	STEP COVER	1
38	760232	PARKING HOOK	1
39	760233	BIG WASHER 8	1
40	760234	DRAG LINK, BRAKE PARKING	1
41	760235	BRAKE HANDLE RAL3002	1
42	760236	U BOLT	1
43	760237	CLUTCH LEVER SPRING	1
44	760238	BRAKE FOOT BAR WELDMENT(MANUAL)	1
45	760239	BRAKE PEDAL	1



Lp	Kod	Nazwa	Ilość
1	760017	FLANGE LOCK NUT M8	6
2	760241	SEAT BACK BEAM	1
3	760242	FLANGE BOLT M8×20	4
4	760243	SEAT SPRING	2
5	760027	BIG WASHER	6
6	760245	FLANGE BOLT M8×25	6
7	760246	SPRING CAP	2
8	760247	JUSTABLE SEAT BASE PLATE	1
9	760248	SEAT SCREWS	2
10	760249	SEAT CUSHION STRIP	2
11	760011	TAPPING SCREWM6*16	2
12	760251	SEAT SWITCCH COMPONENTS	1
13	760252	HEXAGON SOCKET FLAT ROUND HEAD SCREW M8X20, GB/T70.2	4
14	760253	SEAT PLATE	1
15	760254	SEAT ZJZY13-1	1
16	760255	SPRING	1
17	760256	SEAT ADJUSTMENT PLATE	1

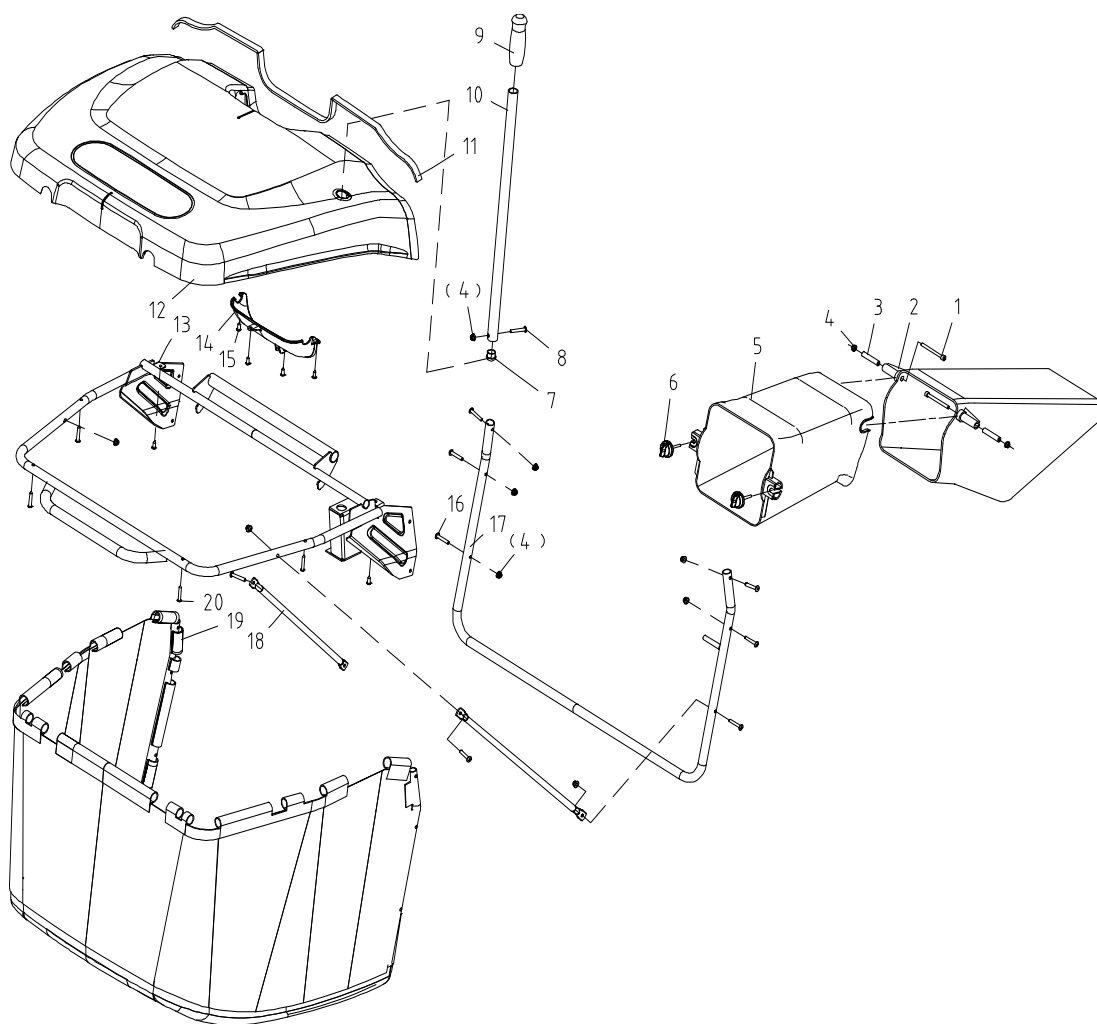


Lp	Kod	Nazwa	Ilość
1	760017	FLANGE LOCK NUT M8	4
2	760027	BIG WASHER	4
3	760259	FRONT STAY BAR WELDMENT	2
4	760260	FRONT RIGHT DERRICK	1
5	760261	HEXAGON NUT 10X1.25	2
6	760262	PIN	1
7	760263	FLANGE LOCK NUT M10x1.25	3
8	760264	WASHER 10	10
9	760265	SPRING PIN	10
10	760266	LIFTING LINK ROD WELDMENT(REAR DISCHARGE)	1
11	760267	REAR ARM WELDMENT(REAR)	1
12	760268	U DERRICK WELDMENT	1
13	760269	FRONT ARM WELDMENT	1
14	760270	FLANGE BOLT 5/16-18TX3/4	10
15	760271	U-SHAPED CLAMP	4
16	760272	PIN JOINT TTM86S, ELECTROPLATED	2
17	760273	LIFTING PULL ROD(REAR DISCHARGE)	1
18	760274	TAPPING SCREWM6*16	2
19	760275	SPRING HANGING PLATE TTM86, ELECTROPLATING	1
20	760276	HANDLE	1
21	760277	RATCHET PLATE	1
22	760278	LIFTING HELPING SPRING	1
23	760279	COTTER PIN $\Phi 3$	1
24	760280	WASHER 14X1.5	1
25	760281	RIGHT SPRING	1
26	760282	LEVEL WELDMENT	1
27	760283	RETAINER RING 12	1
28	760284	HEXAGON BUSHING	2
29	760285	DECK LIFT SHIFT ASSEMBLE	1
30	760286	REAR LEFT SUSPENSION ROD ELECTROPLATING	1
31	760287	REAR RIGHT SUSPENSION ROD ELECTROPLATING	1
32	760288	ADJUSTING PIN	1

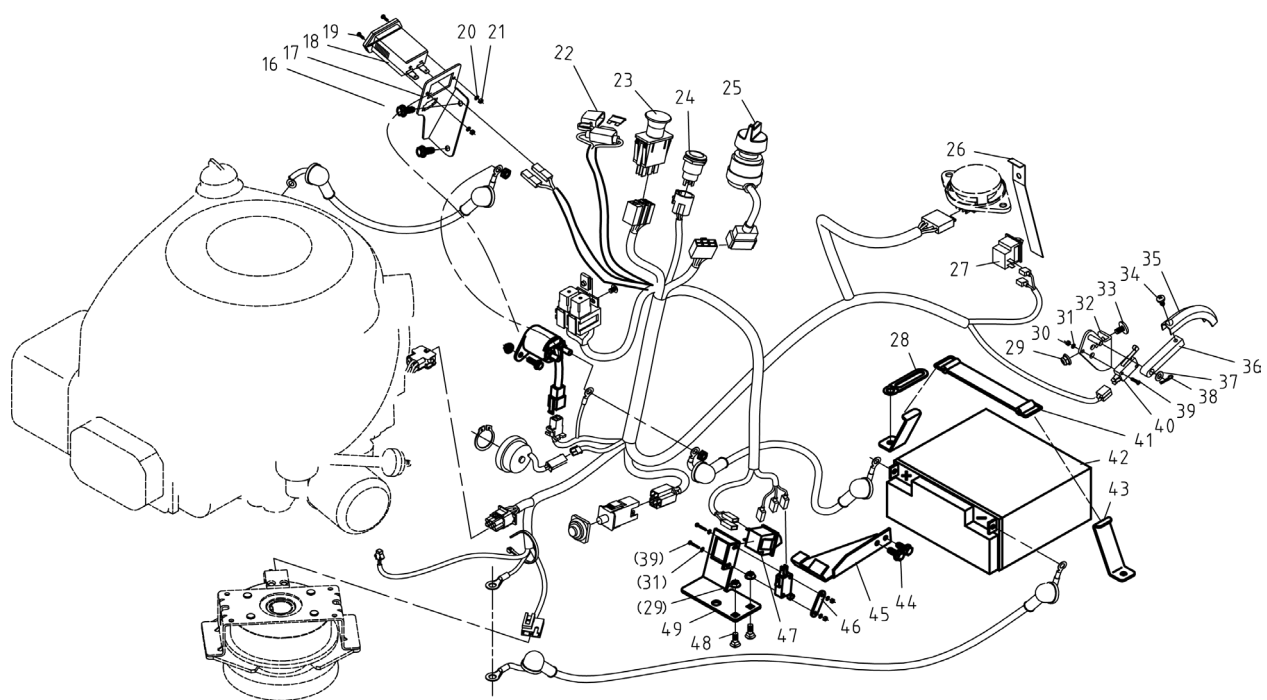


Lp	Kod	Nazwa	Ilość
1	760607	BELT COVER RIGHT TTM92,BLACK	1
2	760290	HEXAGON HEAD TAPPING SCREW6.3X11.5	6
3	760291	FLANGE NUT M8	3
4	760292	CUT TENTION SUPPORT WELDMENT	1
5	760293	ADJUSTING SCREW ROD	1
6	760028	FLANGE BOLT5/16-18TX3/4	2
7	760295	BUCKLE NUT M6	4
8	760296	SCREW M6×16	4
9	760297	TRACTION SPRING	1
10	760608	HEXAGON BOLT M12X1.25X50	1

11	760299	OIL INJECTION NOZZLE	1
12	760300	CUT TENTION ARM WELDMENT	1
13	760213	FLANGE LOCK NUT M12×1.25	2
14	760302	TENTION PULLEY CUSHION COVER	1
15	760303	WHEEL AXLE	2
16	760304	TENTION PULLEY WELDMENT TTM86,PLATING WHITE ZINC PASSIVATION	1
17	760305	BEARING 6203-2RZ	1
18	760306	WHEEL	2
19	760307	CIRCLE 40	1
20	760017	FLANGE LOCK NUT M8	3
21	760610	DECK WELDMENT	1
22	760310	RIGHT GUIDE WHEEL CUSHION COVER	1
23	760077	SNAP RING 37	2
24	760076	BEARING 6301-2RS	2
25	760075	TENTION PULLEY	2
26	760314	TENTION PULLEY BOLT LONG TTM86,BLACKEN	1
27	760611	BELT LG2001783	1
28	760316	CLUTCH LEVER WELDING PART TTM86	1
29	760332	WATER NOZZLE	2
30	760331	O RING 11.2×2.65	2
31	760330	PLASTIC EXPANSION RIVETS	2
32	760317	RIGHT BLADE AXLE	1
33	760326	BEARING 6204-2RZ	4
34	760325	HOOD, BEARING	2
35	760324	PULLEY	2
36	760320	FLAT KEY C6×18	2
37	760321	WASHER	2
38	760322	SPRING WASHER 8	2
39	760242	HEXAGON BOLT M8X20	2
40	760319	BOLT	1
41	760328	LEFT BLADE AXLE	1
42	760327	FLANGE BOLT M8X35	8
43	760318	SPRING WASHER 12	1
44	760613	BELT COVER LEFT	1
45	760333	DECK DISC REINFORCEMENT PLATE	2
46	760334	PIVOT TUBE	2
47	760335	CUTTTER HOUSE	2
48	760336	SPACER RING	2
49	760337	WASHER 50X20.2X2	2
50	760338	SLEEVE	2
51	760614	LEFT BRADE	1
52	760340	SAUCER WASHER	2
53	760264	WASHER 10	2
54	760342	BOLT 3/8-24UNF	1
55	760343	HALFMOON KEY 4×16	2
56	760615	RIGHT BLADE	1
57	760345	LH BOLT 3/8-24-1.25"-1.25-LH	1



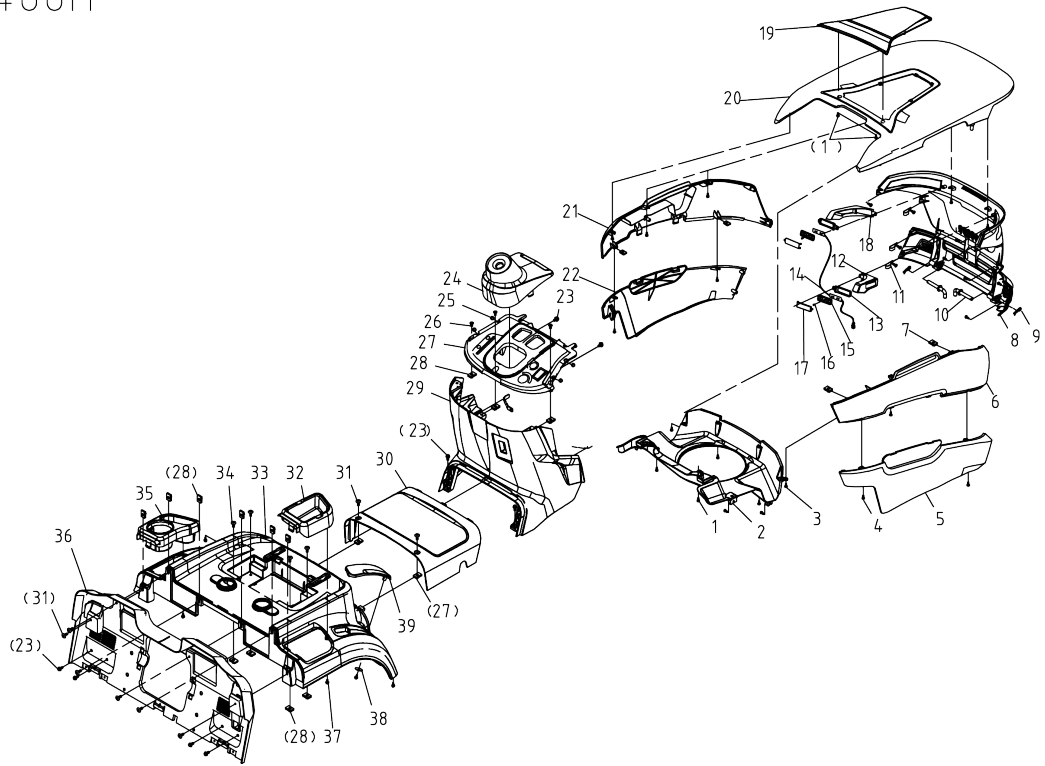
Lp	Kod	Nazwa	Ilość
1	760346	SCREW M6X65	2
2	760347	FRONT GRASS COLLECTORTTM86, K46/T2	1
3	760348	SPACER $\Phi 6 * \Phi 10 * 48$	2
4	760051	HEXAGON LOCK NUT M6	11
5	760350	REAR GRASS COLLECTOR TTM86, K46/T2	1
6	760351	LOCK KNOB	2
7	760352	CORE PLUG	1
8	760353	SCREW M6x30	1
9	760354	HANDLE	1
10	760355	LEVER	1
11	760356	SEALING WOOL TTM86	1
12	760357	COVER (STARRY GRAY)	1
13	760358	GRASS COLLECTING FRAME FRONT SUPPORT WELDMENT	1
14	760359	HANDLE DECPRATIVE PLATE	1
15	760360	TAPPING SCREW ST4.8X16	6
16	760361	HEXAGON BOLTM6X35	8
17	760362	GRASS COLLECTING FRAME STATE SUPPORT WELDMENT	1
18	760363	SIDE STAY PIPE	2
19	760364	GRASS CATCHER(BOTTOM+CATCHER)	1
20	760365	TAPPING SCREW ST5.5X35	4



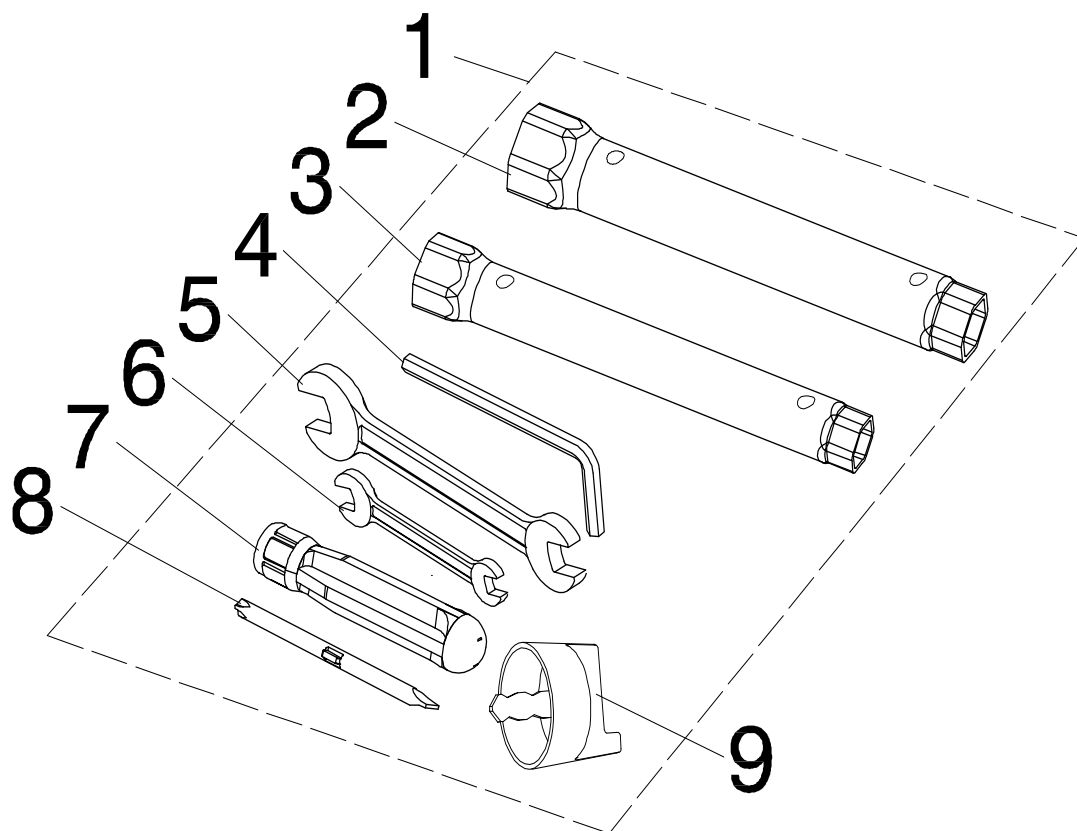
Lp	Kod	Nazwa	Ilość
1	760366	GROUND CABLE	1
2	760588	ELECTRIC CABLE (ELECTRIC START)	1
3	760368	CABLE TIE 5X200	20
3	760369	CABLE TIE 5X200	5
4	760370	COVER,SWITCH	1
5	760371	SWITCH,PLUNGER	1
6	760372	BATTERY CABLE	1
7	760373	BUZZER	1
8	760374	AXIAL ELASTIC RING Φ 24	1
9	760375	BOLT M5×16	2
10	760376	STAR RELAY	1

11	760377	FLANGE LOCK NUT M5	2
12	760378	RELAY YAP23H-12-HR	2
13	760379	BUCKLE NUT M5	1
14	760380	SCREW M5×12	1
15	760381	POWER CABLE	1
16	760382	TAPPING SCREWM6*1	4
17	760383	BRACKET,SOLENOID+HOURMETER	1
18	760384	METER,HOUR, SYS-1, 10-80V	1
19	760385	SCREW M3×12	2
20	760386	WASHER 3	6
21	760387	NUT M3	4
22	760589	FUSE BRM148S, 20A	1
23	760389	SWITCH,PTO	1
24	760390	SWITCH	1
25	760391	ELECTRIC DOOR LOCK	1
26	760392	SPRING PLATE	1
27	760393	SWITCH	2
28	760395	WIRE CLAMP	1
29	760051	HEXAGON FLANGE LOCK NUT M6	4
30	760387	NUT M3	4
31	760386	WASHER 3	4
32	760399	SWITCH BASE	1
33	760296	SCREW M6*16	2
34	760401	TAPPING SCREW ST4.2*10	1
35	760402	HOOK	1
36	760403	SWITCH LEVER	1
37	760031	WASHER Φ6	1
38	760041	SPLIT PIN	1
39	760406	SCREW M3*20	4
40	760407	SWITCH	2
41	760408	BELT	1
42	760409	BATTERY 12V 18AH	1
43	760410	HOOK	2
44	760011	TAPPING SCREWM6*1	2
45	760590	SWITCH LEVER	1
46	760591	WASHER	1
47	760394	SWITCH	2
48	760055	BOLT M6×16	2
49	760592	SWITCH BASE	1

TTM486H



Lp	Kod	Nazwa	Ilość
1	760411	SCREW ST4.8×16	28
2	760412	AIR DIRECTOR	1
3	760413	SCREW ST4.8×20	2
4	760380	SCREW M5×12	4
5	760415	RIGHT COVER-LOWER	1
6	760416	RIGHT COVER - UPPER	1
7	760379	BUCKLE NUT M5	4
8	760418	FRONT HOOD	1
9	760059	SPRING PIN	2
10	760420	PIN	2
11	760421	IGNITION WIRE CLAMP	4
12	760422	HEADLIGHT RIGHT SEAT	1
13	760423	HEADLIGHT FRONT COVER	2
14	760424	LED LIGHT PANEL	1
15	760425	LAMPSHADE	2
16	760616	CROSS RECESSED PAN HEAD SELF-TAPPING SCREWS ST2.9X8F	2
17	760427	HEADLIGHT REAR COVER	2
18	760428	HEADLIGHT LEFT SEAT	1
19	760429	TRANSPARENT LID	1
20	760430	HOOD	1
21	760431	LEFT COVER-TOP	1
22	760432	LEFT COVER-LOWER	1
23	760433	SCREW 6X16	8
24	760434	STEERING WHEEL COVER	1
25	760435	HANDLE ANTI-VIBRATION RUBBER	4
26	760436	SCREW M6X16	3
27	760437	PANEL	1
28	760438	BUCKLE NUT M6	15
29	760439	SHIELD	1
30	760440	MAINTENANCE COVER	1
31	760296	SCREW M6×16	8
32	760442	RIGHT STORAGE BOX	1
33	760443	REAR SEAT	1
34	760444	SCREW M6×25	4
35	760445	LEFT STORAGE BOX	1
36	760446	REAR COVER TAIL-BOARD	1
37	760360	TAPPING SCREW ST4.8X16	4
38	760038	GASKET 6.5×25×1.4	1
39	760617	STALL DECORATIVE PLATE	1



Lp	Kod	Nazwa	Ilość
1	760448	ACCESSORY TOOL BAG XC62	1
2	760449	SPARK PLUG SLEEVE 13-21	1
3	760450	SPARK PLUG SLEEVE 10-16	1
4	760451	ALLEN KEY 5	1
5	760452	OPEN-END WRENCH 13×15	1
6	760453	8×10 OPEN-END WRENCH	1
7	760454	DUAL-FUNCTION SCREWDRIVER HANDLE	1
8	760455	TWO-HEADED SCREWDRIVER	1
9	760456	KEY	1