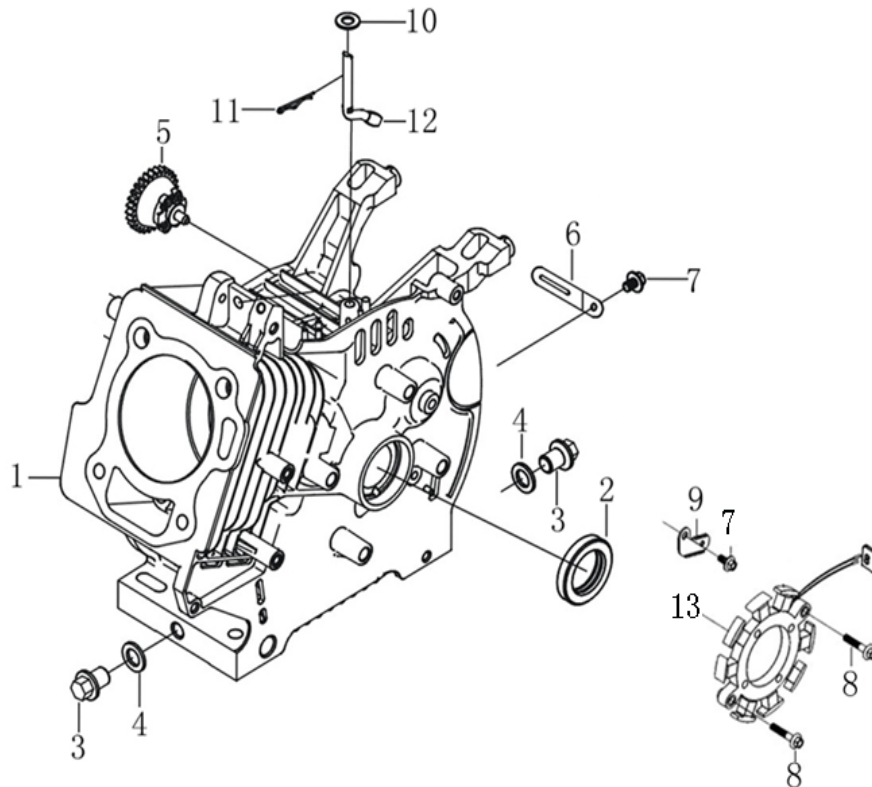
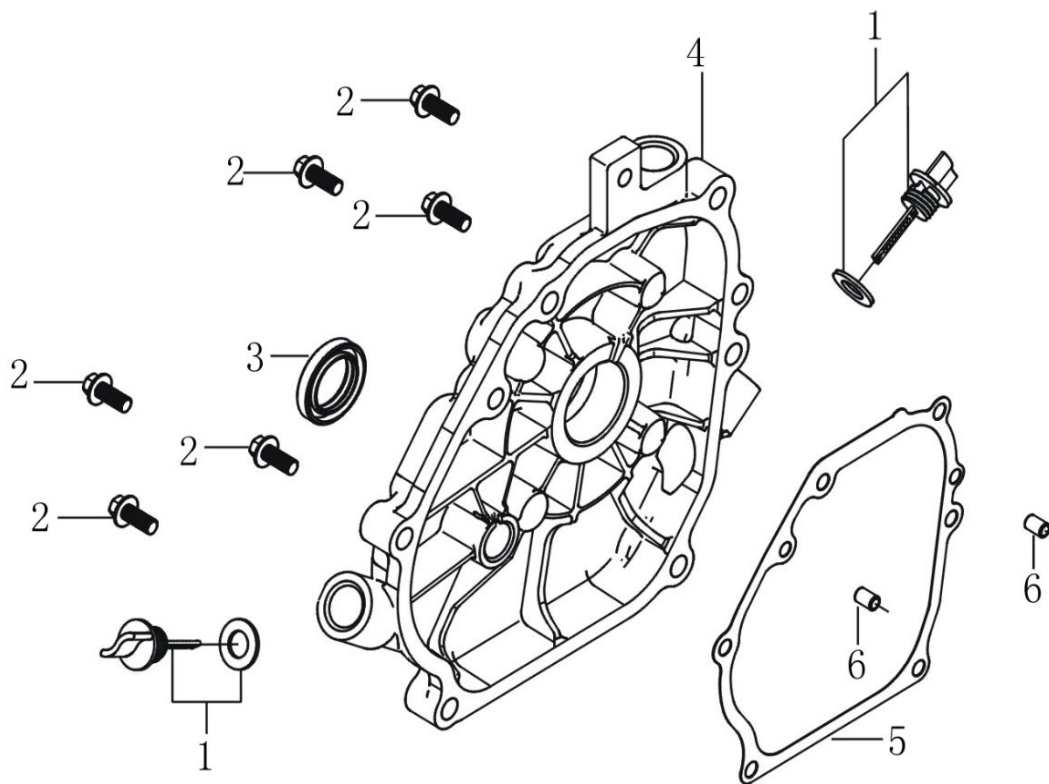


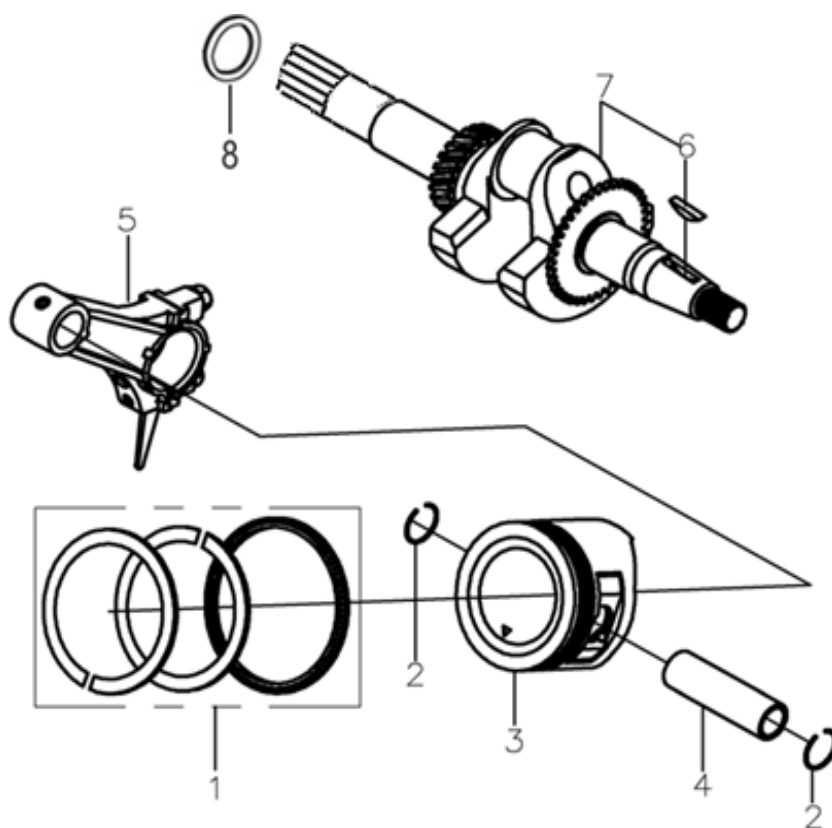
Lp	Kod	Nazwa	Ilość
1	380140013-0005	Hexagon bolt with flange	4
2	120230138-0001	Cylinder head cover assy	1
3	380741168-0001	Breather tube	1
4	150290027-0001	Engine oil Strainer	1
5	110850026-0001	PACKING, BREATHER CHAMBER	1
6	110840034-0001	CAP,BREATHER CHAMBER	1
7	380140429-0001	Hexagon bolt with flange	2
8	120250057-0001	Gasket for cylinder head cover	1
9	270960014-0001	Spark plug	1
10	380140454-0002	Hexagon bolt with flange	4
11	380180098-0001	Stud	2
12	120080636-0001	Cylinder head	1
13	380180093-0001	Stud	2
14	120150216-0001	Gasket for cylinder head	1
15	380600116-0001	ocation pin	2



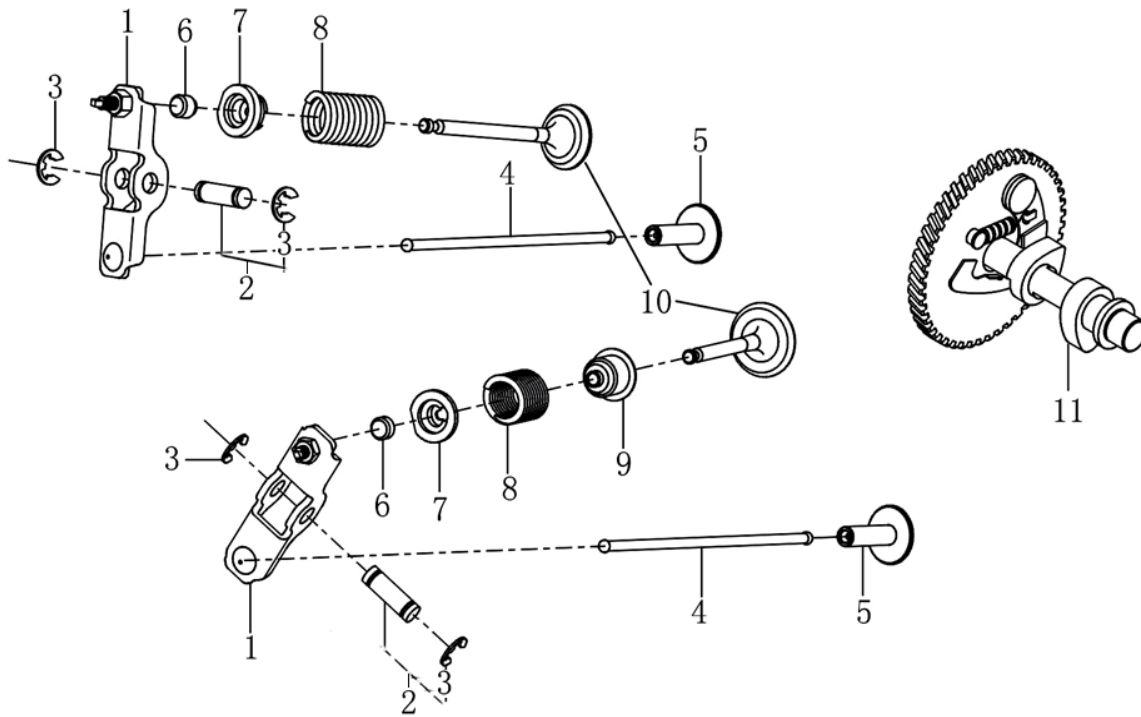
Lp	Kod	Nazwa	Ilość
1	110810329-0001	Crankcase body	1
2	380650347-0001	Oil seal	1
3	110260025-0001	Sealing plug screw	2
4	380450514-0001	Flat washer	2
5	171750002-0001	Governor gear	1
6	380940346-0003	Cable cleat	1
7	380140037-0003	Hexagon bolt with flange	2
8	380140103-0004	Hexagon bolt with flange	2
9	270280025-0001	Tension disc for wire bundle	1
10	380450531-0001	Flat washer	1
11	381350004-0001	Split pin	1
12	171630025-0001	Speed regulating arm	1
13	270210062-0001	Lighting coil combination	1



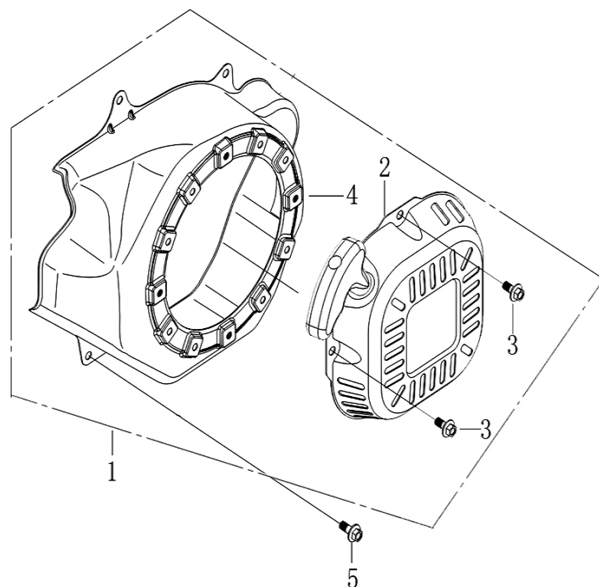
Lp	Kod	Nazwa	Ilość
1	110690096-0004	Oil rule combination	2
2	380140028-0004	Hexagon bolt with flange	6
3	380650642-0001	Oil seal	1
4	110820177-0001	Crankcase cover	1
5	110830063-0001	Crankcase cover gasket	1
6	380600120-0001	ocation pin	2



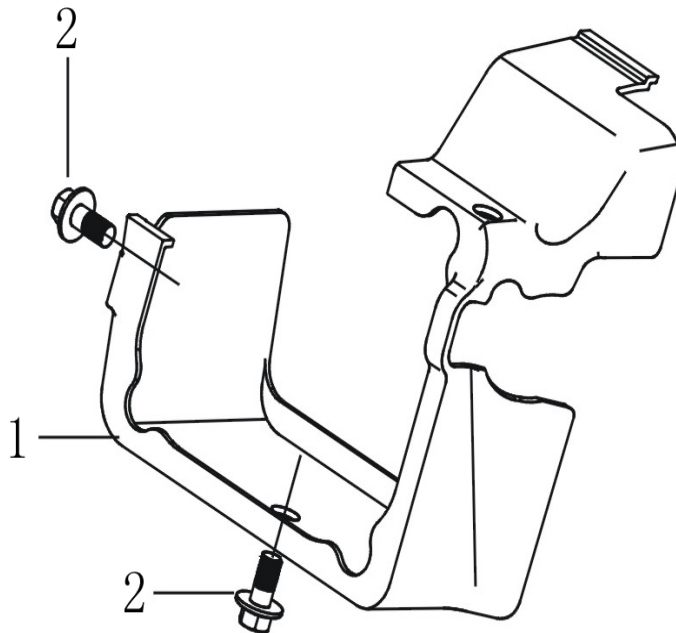
Lp	Kod	Nazwa	Ilość
1	130070158-0001	Piston ring combination	1
2	380560056-0001	Steel cable baffle ring	2
3	130030245-0001	Piston	1
4	130060031-0001	Piston pin	1
5	130150039-0001	Connecting rod	1
6	380620050-0001	Key	1
7	130290576-0001	crankshaft	1
8	380451091-0001	Flat washer	1



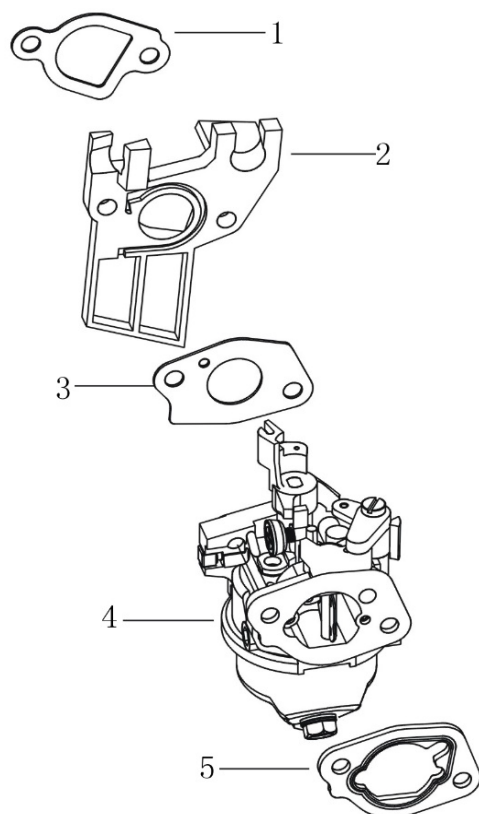
Lp	Kod	Nazwa	Ilość
1	140450068-0001	Valve rocker combination	2
2	141730001-0001	Valve rocker shaft	2
3	380570024-0003	Split damping ring	4
4	140670047-0001	Push rod	2
5	140690003-0001	Lifter, Valve	2
6	140320001-0001	Valve adjustment cap	2
7	140380068-0001	Retainer, valve spring	2
8	140340039-0001	Inner spring of valve	2
9	140400016-0001	Valve oil seal	1
10	500550076-0001	Valve Kit	1
11	140020351-0001	Camshaft assy	1



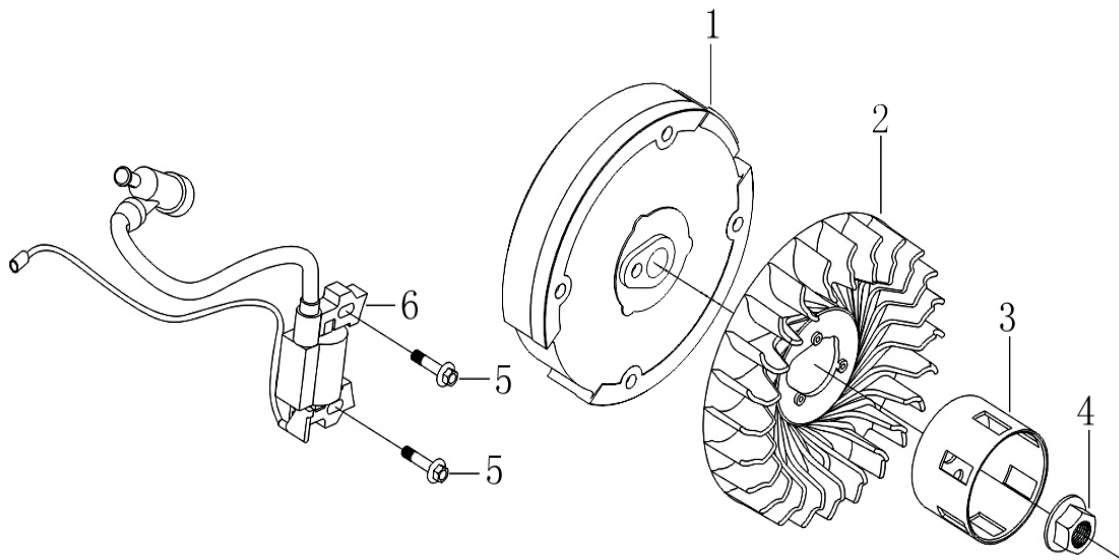
Lp	Kod	Nazwa	Ilość
1	193490426-0005	Manual starting assembly	1
2	193500115-TB00	Manual starting components	1
3	380140531-0001	Hexagon bolt with flange	3
4	60210005-0002	Fan cover comp.	1
5	380140037-0003	Hexagon bolt with flange	4



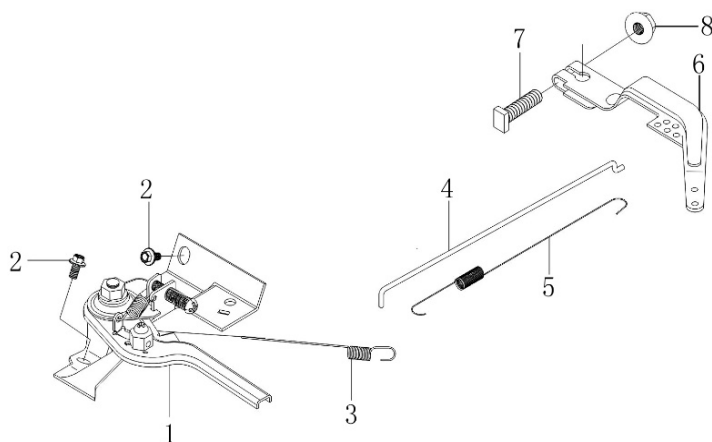
Lp	Kod	Nazwa	Ilość
1	160190084-0001	air deflector	1
2	380140037-0003	Hexagon bolt with flange	2



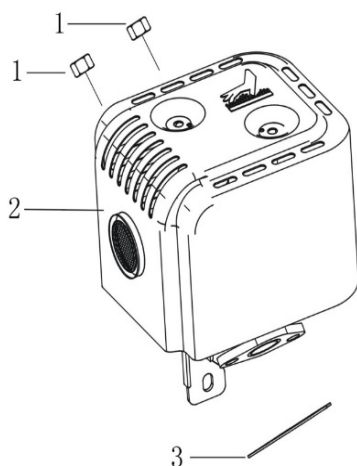
Lp	Kod	Nazwa	Ilość
1	170430178-0001	Carburetor gasket	1
2	170440093-0001	Heat insulating pad for carburetor	1
3	170430221-0001	Carburetor gasket	1
4	170022209-0001	Carburetor	1
5	170430065-0001	Carburetor gasket	1



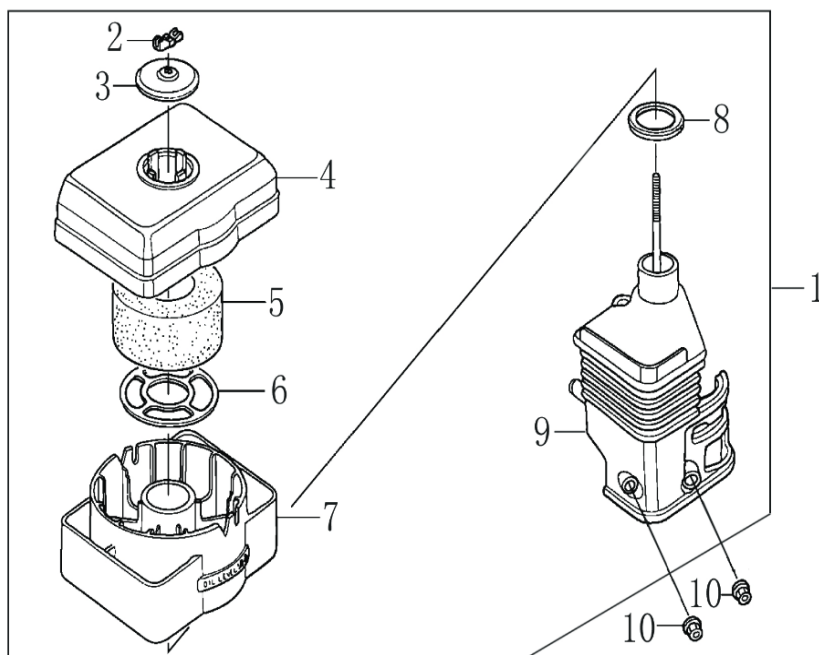
Lp	Kod	Nazwa	Ilość
1	270020354-0001	FLYWHEEL COMP	1
2	160180036-0001	Impeller	1
3	193590030-0001	Starting disc	1
4	380370051-0001	Hexagon nut with flange	1
5	380140095-0005	Hexagon bolt with flange	2
6	270920476-0001	COIL ASSY.,IGNNTION	1



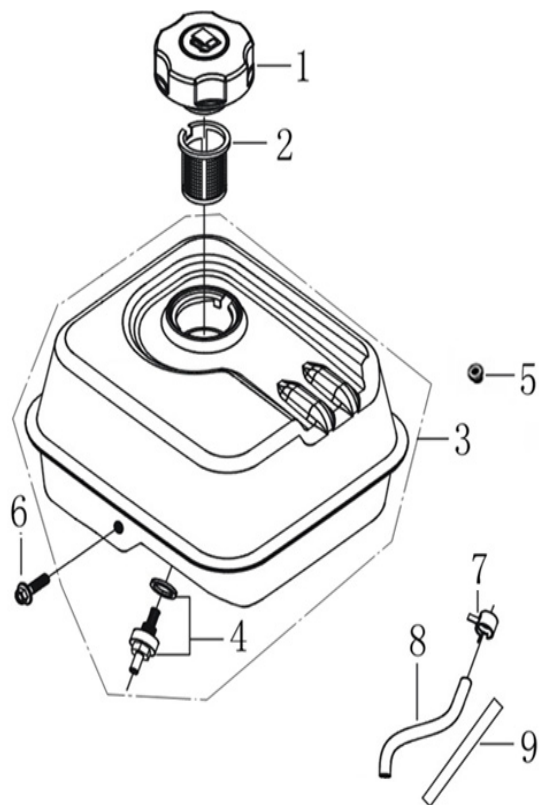
Lp	Kod	Nazwa	Ilość
1	171680139-0001	Throttle handle combination	1
2	380140037-0003	Hexagon bolt with flange	2
3	171600081-0001	Governing spring	1
4	171590030-0001	Throttle rod	1
5	171610002-0001	throttle return spring	1
6	171620001-0003	Speed regulating bracket	1
7	380250002-0001	Square head set screw with flat point	1
8	380370066-0001	Hexagon nut with flange	1



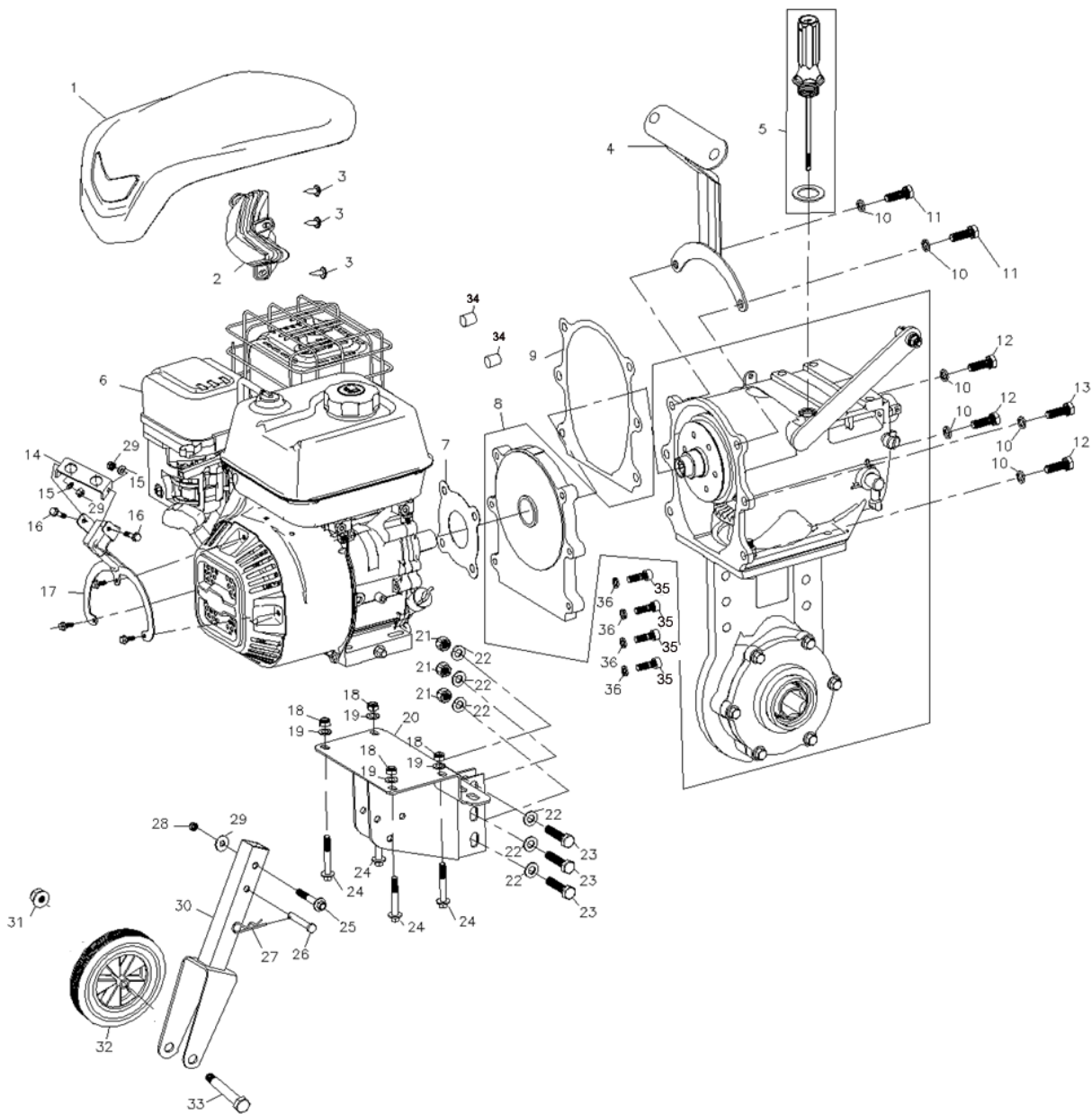
Lp	Kod	Nazwa	Ilość
1	380340005-0005	Hexagon nut	2
2	180571921-0001	Muffler	1
3	180650116-0001	Outlet gasket	1



Lp	Kod	Nazwa	Ilość
1	180020320-0002	Air filter	1
2	380440002-0002	Butterfly nut	1
3	180220016-0001	Air filter pressing plate	1
4	180070172-0001	Air filter casing cover	1
5	180100041-0001	Air filter element combination	1
6	183010001-0001	Air filter element Support plate	1
7	180330040-0001	Support plate body of filter element	1
8	380840437-0001	Seal ring	1
9	180280030-0001	Air filter seat	1
10	380370048-0001	Hexagon nut with flange	2

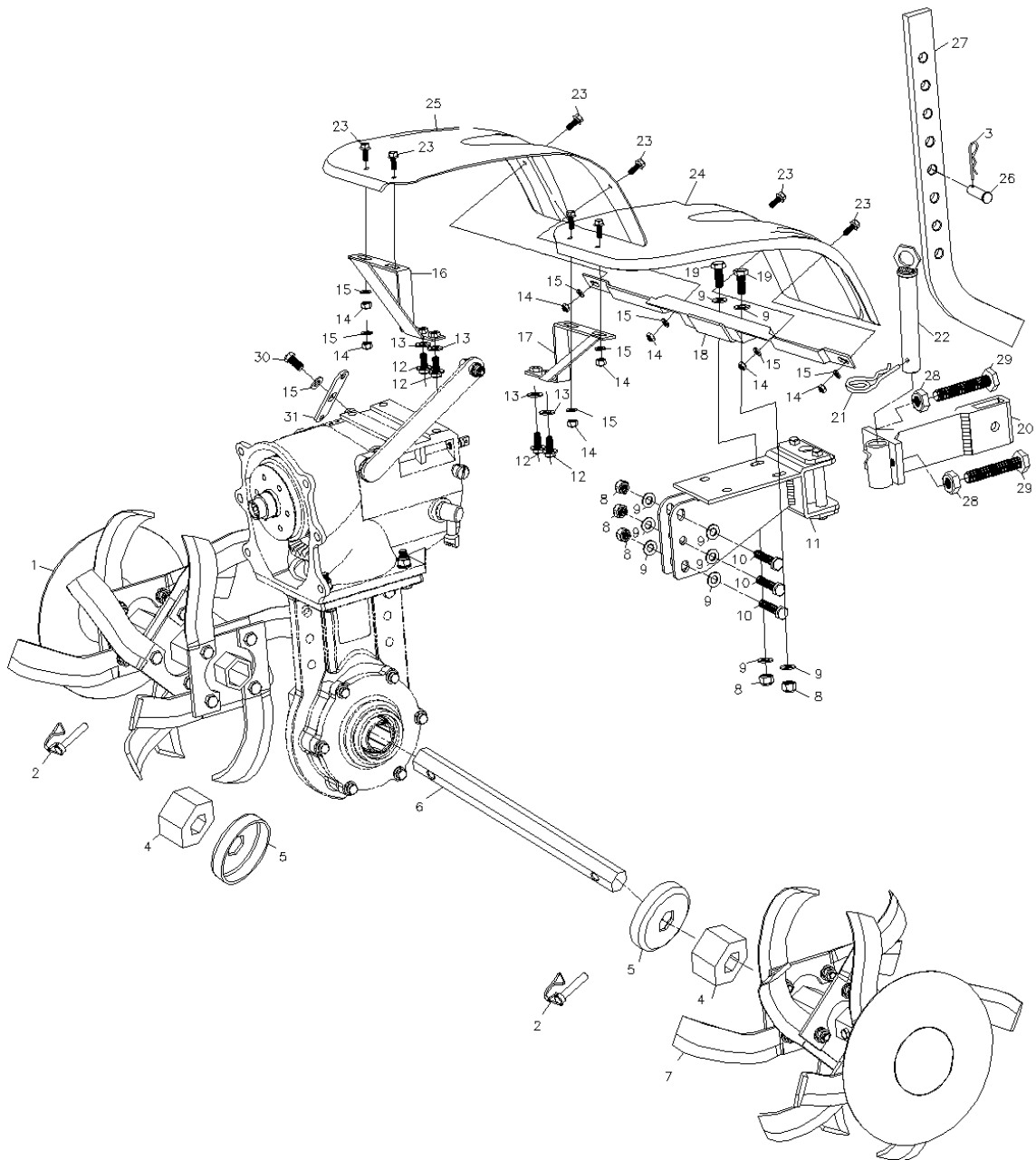


Lp	Kod	Nazwa	Ilość
1	170870042-0001	Tank cover	1
2	170720009-0001	Pouring orifice filter screen combination	1
3	170501038-0003	Tank	1
4	170660077-0001	Tank oilout	1
5	380370048-0001	Hexagon nut with flange	2
6	380140024-0006	Hexagon bolt with flange	1
7	380960170-0002	Clip combination	1
8	380750761-0001	Oil tube	1
9	380770285-0001	Protective sleeve	1



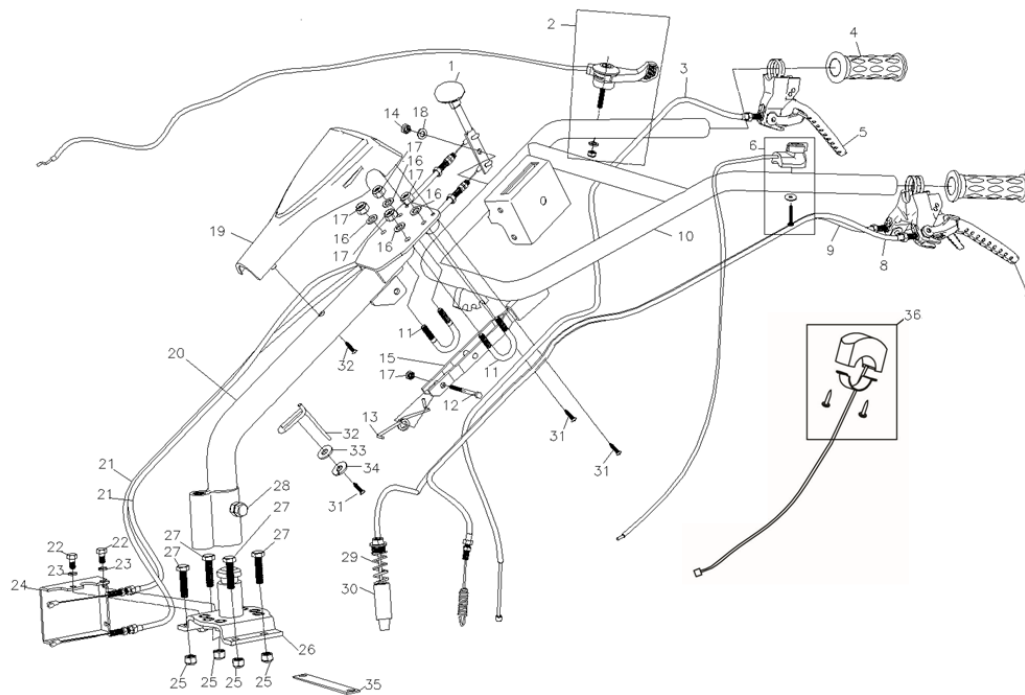
Lp	Kod	Nazwa	Ilość
1	341920039-0002	Engine Protect Cover	1
2	283920004-0001	lighting	1
3	380310015-0005	Cross recessed pan head tapping screw	3
4	344010012-0001	Protect Cover Stents	1
5	110690053-0001	Oil rule combination	1
6	TB00006862-0000004	Engine	1
7	111360001-0001	Transmission Case flange plate gasket	1
8	192050078-0002	Gear shift Equipment	1
9	110200017-0001	GEAR BOX CUSHION	1
10	380460002-0006	Elastic washer	6
11	380070100-0004	Hexagon bolt	2
12	380070103-0004	Hexagon bolt	3
13	380070170-0001	Hexagon bolt	1
14	344010006-0001	Protect Cover Stents	1

15	380450004-0003	Washer,Plain	2
16	380140003-0005	Bolt,Hexagon Flange	2
17	344010010-0002	Protect Cover Stents	1
18	380350006-0001	Hexagon locknut for nonmetal insert	4
19	380450003-0006	Washer,Plain	4
20	300110142-0001	Engine Bracket	1
21	380350009-0001	Hexagon locknut for nonmetal insert	3
22	380450006-0005	Flat washer	6
23	380070100-0004	Hexagon bolt	3
24	380140051-0005	Hexagon bolt with flange	4
25	380020133-0001	Hexagon shaft shoulder bolt	1
26	380610047-0001	Pin	1
27	381350011-0001	Pin clip	1
28	380350003-0002	Hexagon locknut for nonmetal insert	1
29	380450729-0001	Flat washer	1
30	310020035-0001	Front fork	1
31	380400002-0004	Allmetal hexagon set screw with flange	1
32	660700004-0001	Support wheel assembly	1
33	380070286-0001	Hexagon bolt	1
34	380600122-0001	ocation pin	2
35	380190011-0007	Socket head screw	4
36	380460001-0006	WASHER,ELASTIC	4



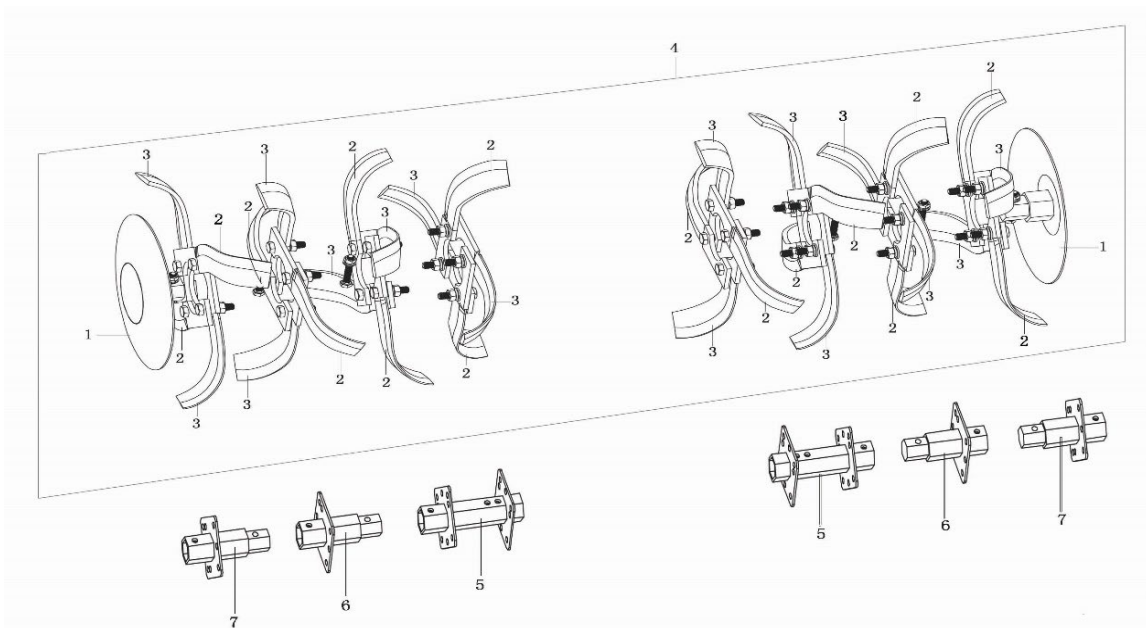
Lp	Kod	Nazwa	Ilość
1	661500048-0001	RIGHT RAKER COMP.	1
2	380960170-0001	HOOP ASSY.	2
3	381350011-0001	Pin clip	1
4	195150002-0001	Alex Sleeve,forward gear	2
5	195640007-0001	Output shaft Dust cover	2
6	193050025-0001	Output shaft	1
7	661490052-0001	LEFT RAKER COMP.	1
8	380350009-0001	Hexagon locknut for nonmetal insert	5
9	380450006-0005	Flat washer	10
10	380070326-0001	Hexagon bolt	3
11	661380004-0001	Damping arm soleplate	1
12	380070018-0004	Hexagon bolt	4
13	380450524-0001	Flat washer	4
14	380350003-0002	Hexagon locknut for nonmetal insert	8

15	380450004-0003	Flat washer	9
16	661530044-0001	Fender Bracket	1
17	661530043-0001	Fender Bracket	1
18	661530045-0001	Fender Bracket	1
19	380070170-0001	Hexagon bolt	2
20	661390006-0001	Damping arm Holder	1
21	381350012-0001	Pin clip	1
22	661550004-0001	Damping arm Pin	1
23	380140013-0005	Hexagon bolt with flange	8
24	661420024-0002	Mudguard(left)	1
25	661430023-0002	Mudguard(right)	1
26	380610184-0001	Pin	1
27	661400002-0002	Damping arm	1
28	380340012-0005	Hexagon nut	2
29	380070228-0002	Hexagon bolt	2
30	380070013-0005	Hexagon bolt	1
31	192430030-0001	Shift arm	1

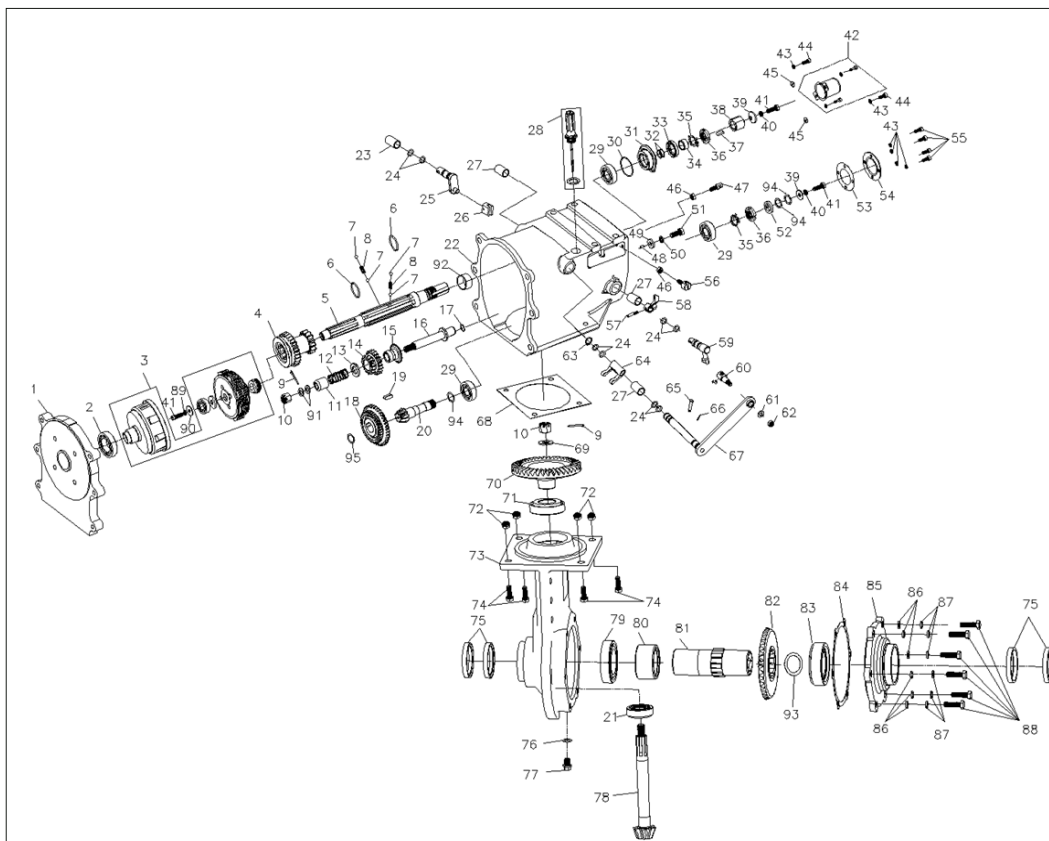


Lp	Kod	Nazwa	Ilość
1	196280004-0001	Shift Handle	1
2	171210422-0001	Throttle cable	1
3	196780019-0001	Reverse inhaul cable	1
4	320180196-0001	Lever Rubber	2
5	271510151-0001	Handle(Left)	1
6	271660086-0001	Stop switch	1
7	271510177-0001	Handle(Left)	1
8	320240474-0001	Clutch cable	1
9	662680001-0001	Rope	1
10	320010245-0002	Components of lever	1
11	331510094-0001	U-type holt hoop	2
12	380140005-0006	Hexagon bolt with flange	1
13	381160237-0001	Torsion spring	1
14	380350003-0002	Hexagon locknut for nonmetal insert	1
15	661750005-0001	HANDLE	1
16	380450003-0006	Flat washer	4
17	380350006-0001	Hexagon locknut for nonmetal insert	4
18	380450004-0003	Flat washer	1
19	341620018-0002	Handlebar Cover	1
20	320050099-0001	Handlebar Connecting seat	1
21	192780063-0001	gear shifting cable	2
22	380070018-0004	Hexagon bolt	2
23	380460001-0006	Elastic washer	2
24	660190088-0001	Support	1
25	380350009-0001	Hexagon locknut for nonmetal insert	4
26	191800017-0001	supporting seat	1
27	380070100-0004	Hexagon bolt	4
28	296270003-0001	positioning screw	1
29	381150629-0001	Compression spring	1

30	380610337-0001	Pin	1
31	380310137-0001	Cross recessed pan head tapping screw	4
32	380930045-0001	Location wire nail	1
33	380450729-0001	Flat washer	1
34	380460005-0007	Elastic washer	1
35	190470078-0001	Platen	2
36	284920002-0001	Flashlight Switch	1



Lp	Kod	Nazwa	Ilość
1	661740003-0001	CUT TRAY	2
2	661520005-0001	RIGHT KNIFE	16
3	661510005-0001	LEFT KNIFE	16
4	501400001-0001	BOLT	1
5	661720008-0001	MAIN TILTH KNIFE TUBE	2
6	661730005-0001	SUBSIDIARY TILTH KNIFE TUBE	2
7	661730007-0001	SUBSIDIARY TILTH KNIFE TUBE	2

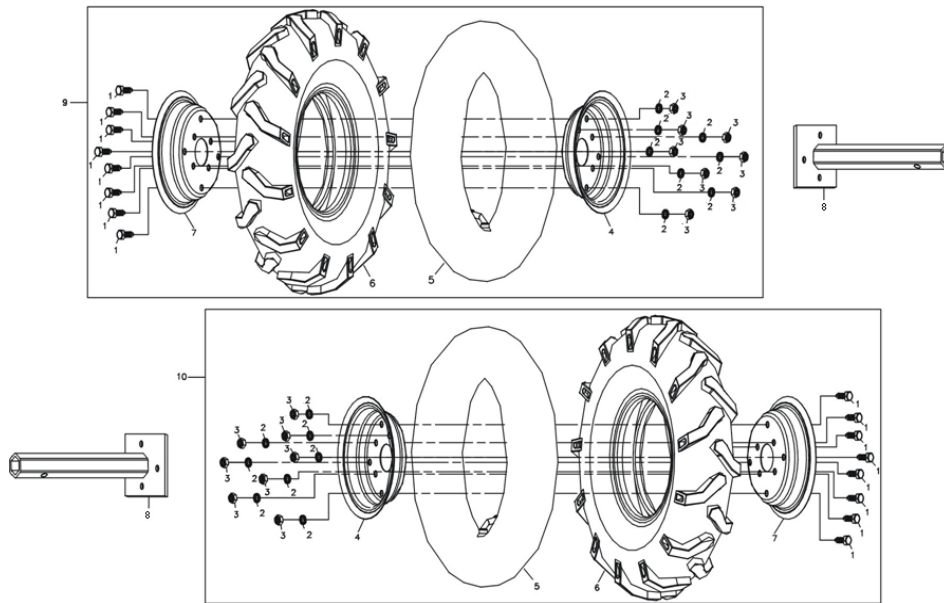


96

Lp	Kod	Nazwa	Ilość
1	111350005	WHEEL BOX flange plate	1
2	380630295-0001	Bearing	1
3	190010164-0001	Clutch assembly	1
4	195230005-0001	driving gear of duplicate gears	1
5	191260058-0001	principal axis	1
6	380560094-0001	Steel cable baffle ring	2
7	380640007-0001	Steel ball	4
8	381150504-0001	Compression spring	2
9	380590056-0001	Split pin	2
10	380410025-0001	Hexagon slotted nuts	2
11	192990009-0001	Spring Sleeve	1
12	381150503-0001	Compression spring	1
13	380450794-0001	Flat washer	1
14	191810003-0001	Reverse gear	1
15	195570002-0001	push plate	1
16	194480003-0001	Reverse shaft	1
17	380840790-0002	Seal ring	1
18	195240005-0001	driven gear of duplicate gears	1
19	380620107-0001	Key	1
20	191400084-0001	countershaft	1
22	110180024	WHEEL BOX	1
23	380822344-0001	Bushing	3
24	380840789-0002	Seal ring	10

25	195300006-0001	gear shifting cam	1
26	192370011-0001	gear shifting board	1
27	380822418-0001	Bushing	3
28	110690053-0001	Oil rule combination	1
29	380630005-0001	Bearing	3
30	380840791-0002	Seal ring	1
31	195190003-0001	oil seal base	1
32	380840788-0002	Seal ring	2
33	380650349-0002	Oil seal	1
34	380822345-0001	Bushing	1
35	380490017-0001	Lock washer	2
36	380810052-0001	Round nut	2
37	380620106-0001	Key	1
38	192660002-0001	Protect Coat	1
39	380450039-0003	Flat washer	2
40	380460001-0006	Elastic washer	2
41	380070018-0001	Hexagon bolt	3
42	141140010-0001	dust cap	1
43	380460003-0003	Elastic washer	6
44	380190008-0005	Socket head screw	2
45	380480044-0001	Dish washer	2
46	380340005-0005	Hexagon nut	2
47	193910019-0001	Cable Lug	1
48	380600156-0001	ocation pin	1
49	380450826-0001	Flat washer	1
50	380460002-0006	Elastic washer	1
51	380070123-0004	Hexagon bolt	1
52	380520003-0001	tongued washer	1
53	660310016-0001	Sealing washer	1
54	191690003-0001	countershaft Oil Seal dam-board	1
55	380190005-0006	Socket head screw	4
56	193910016-0001	Cable Lug	1
57	380600166-0001	ocation pin	1
58	192120057-0001	SHIFTING FORK	1
59	192130026-0001	SHIFTING FORK Axis	1
60	660190015-0001	Support	1
61	380450003-0003	Flat washer	1
62	380350006-0001	Hexagon locknut for nonmetal insert	1
63	380550031-0001	Circlip	1
64	192120058-0001	SHIFTING FORK	1
65	380610178-0001	Pin	1
66	380590056-0001	Split pin	1
67	190810055-0009	Clutch Operating lever Combination	1
68	191940003-0001	Reduction gearbox gasket	1
69	380460014-0007	Elastic washer	1
70	195100003-0001	driven bevel gear	1
71	380630355-0001	Bearing	1
72	380350009-0001	Hexagon locknut for nonmetal insert	4
73	191910009	Reduction gearbox body	1
74	380070100-0004	Hexagon bolt	4

75	380650528-0002	Oil seal	4
76	380840866-0002	Seal ring	1
77	110260054-0001	Sealing plug screw	1
78	196010003-0001	driving cone pulley shaft	1
79	380630354-0001	Bearing	1
80	380822425-0001	Bushing	1
81	193040007-0001	Counter shaft	1
82	195100004-0001	driven bevel gear	1
83	380630356-0001	Bearing	1
84	191930012-0001	Reduction gearbox cover gasket	1
85	191920012	Reduction gearbox cover	1
86	380450129-0003	Flat washer	6
87	380460002-0006	Elastic washer	6
88	380070103-0004	Hexagon bolt	6
89	380490043-0001	Lock washer	1
90	380450524-0001	Flat washer	1
91	380450001-0006	Flat washer	2
92	380823803-0001	Bushing	1
94	191540009-0001	countershaft adjusting washer	3
95	191540009-0001	countershaft adjusting washer	1
96	192050078-0002	Gear shift Equipment	1



Lp	Kod	Nazwa	Ilość
1	380070301-0001	Elastic washer	16
2	380460002-0003	Hexagon nut	16
3	380340010-0007	Hub	16
4	660710013-0001	INNER TUBE	2
5	290180266-0001	SHOE	2
6	290160406-0001	Hub	2
7	660710012-0001	Machine set supporting wheel shaft	2
8	660730035-0001	Components of supporting wheel	2
9	660690019-0001	Components of supporting wheel	1
10	660690021-0001	Supporting Wheel Parts	1